



x2



x4



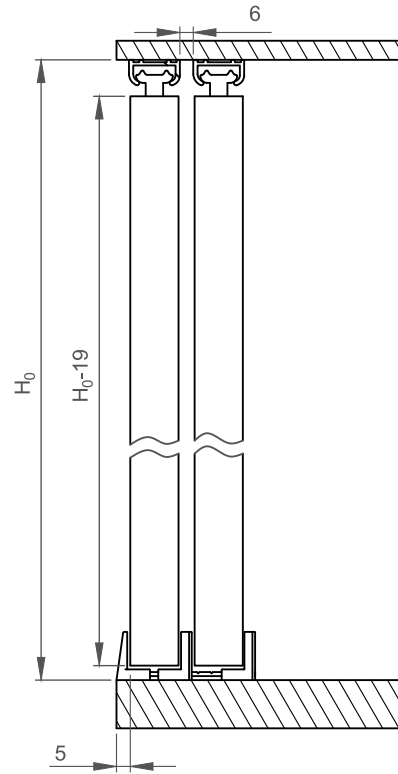
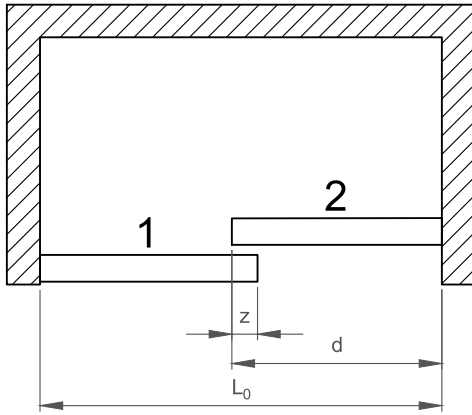
x1



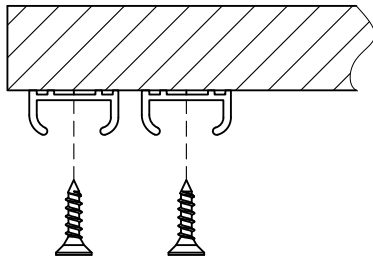
x1



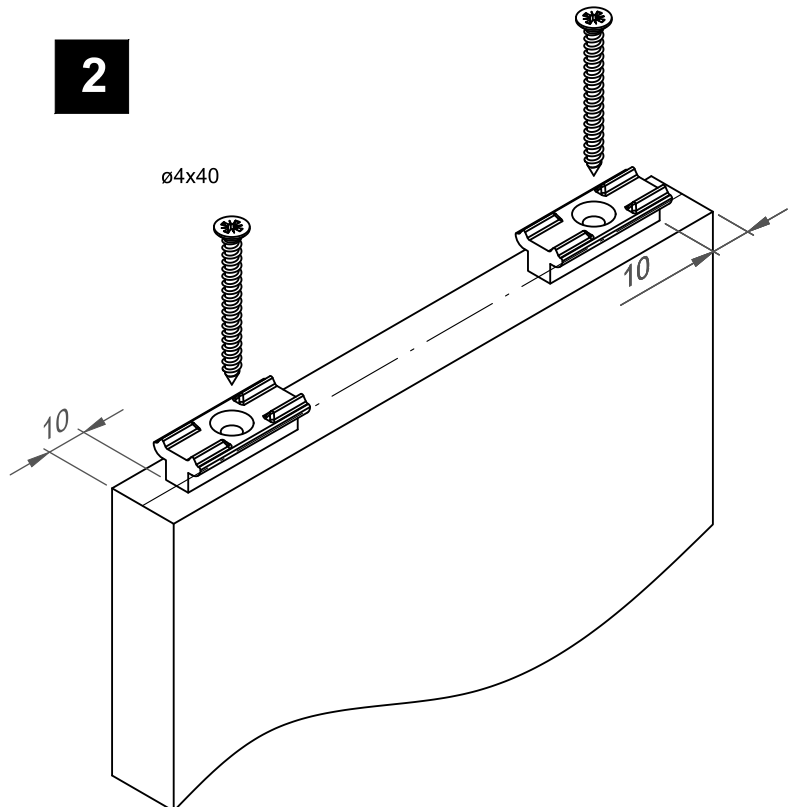
9
kg



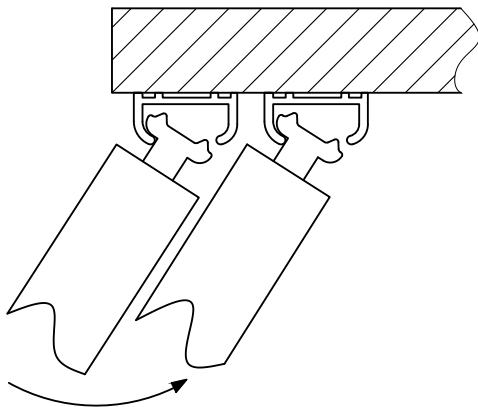
1



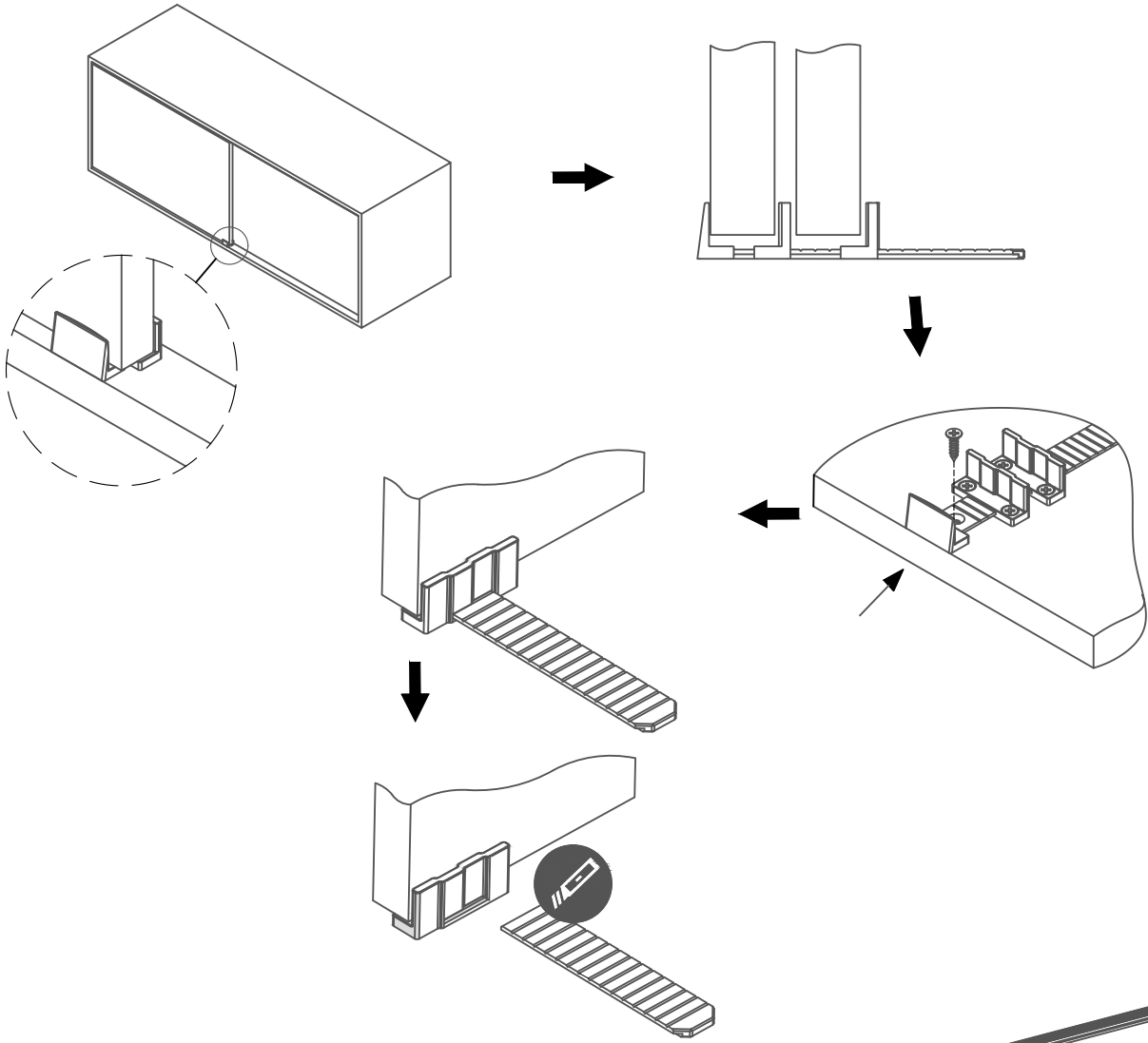
2



3



4



5

