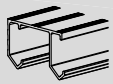


**SLID'UP**  
by MANTION

INSTRUCTION DE MONTAGE  
MONTAGEANLEITUNG  
INSTRUCTIONS FOR ASSEMBLY  
INSTRUCCIONES DE MONTAJE  
INSTRUKCJA MONTAŻU

**SLID'UP 110**

SU5103  
SU5104  
SU5105



x1



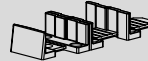
x2



x2



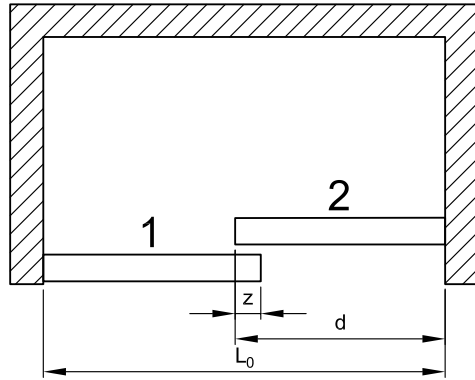
x2



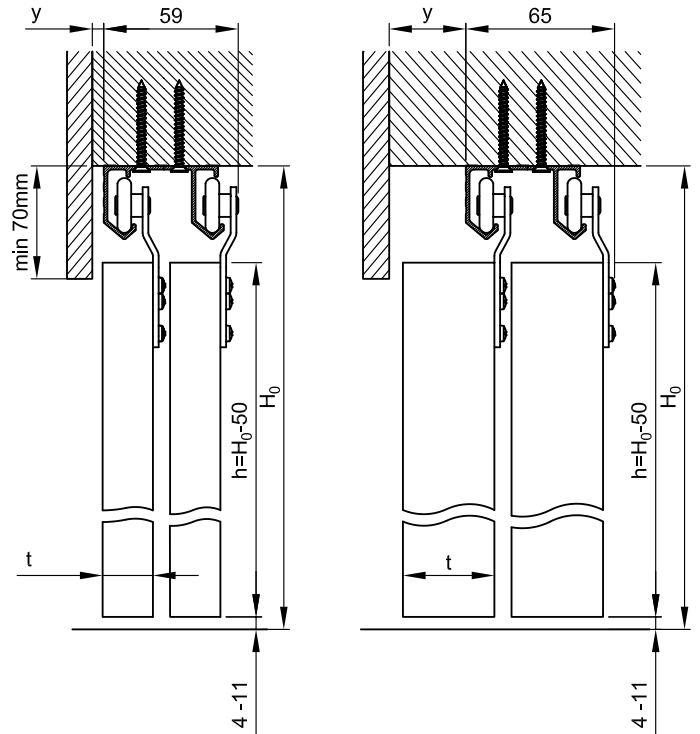
x1



45  
KG

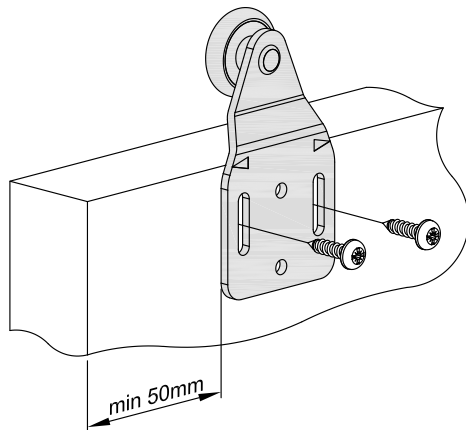


$$d = (L_0 + z) / 2$$

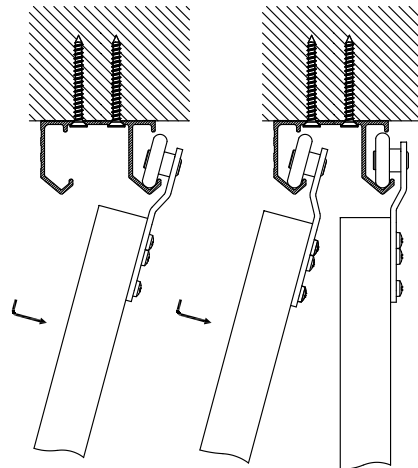


t [mm]	16	>16
y [mm]	0	t-16

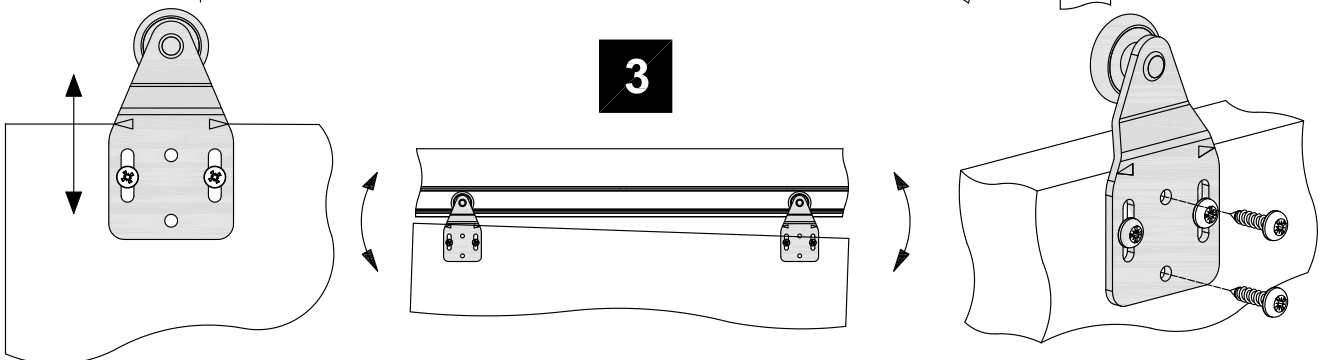
**1**

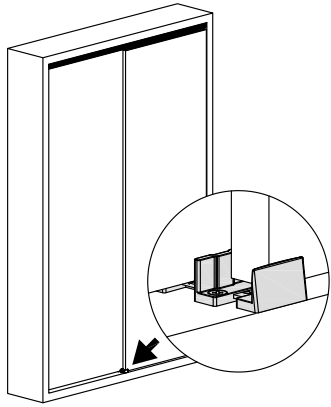


**2**

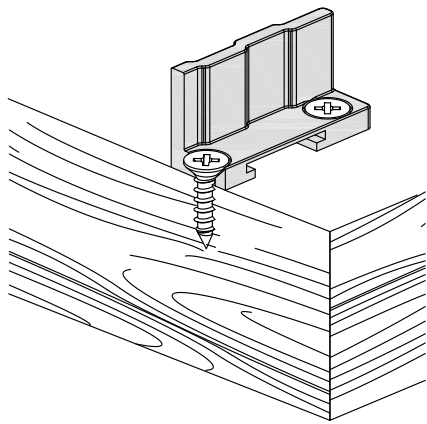
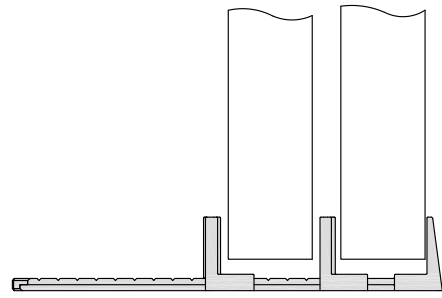


**3**

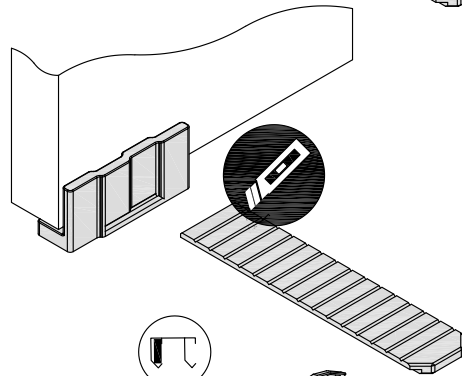
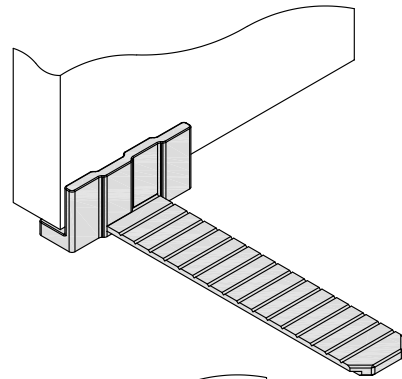




4



5



6

