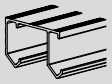


**SLID'UP**  
by MANTION

INSTRUCTION DE MONTAGE  
MONTAGEANLEITUNG  
INSTRUCTIONS FOR ASSEMBLY  
INSTRUCCIONES DE MONTAJE  
INSTRUKCJA MONTAŻU

**SLID'UP 110**  
SU5106  
SU5107  
SU5108



x1



x2



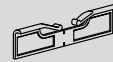
x2



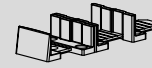
x2



x2



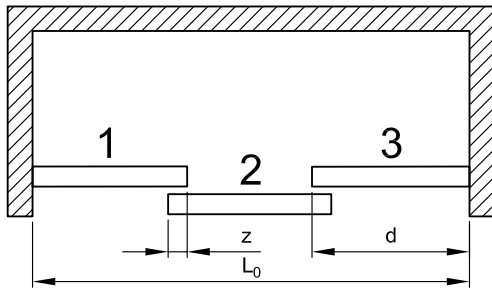
x1



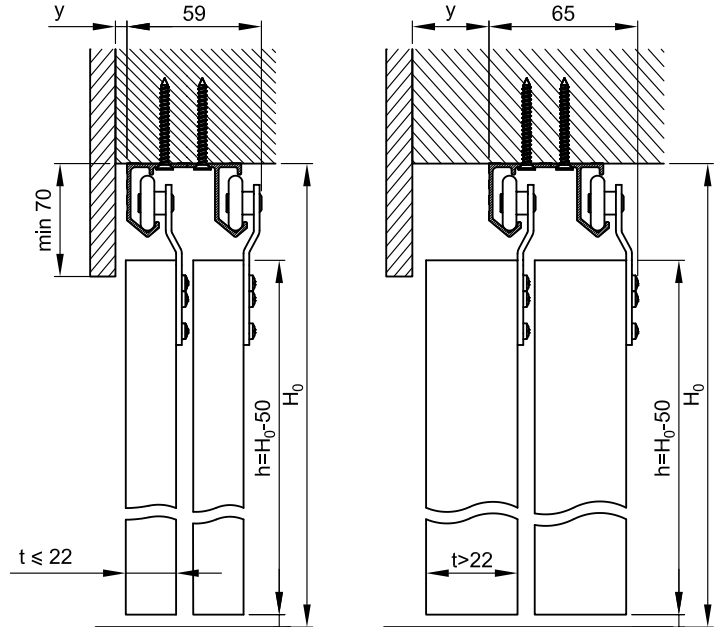
x2



45  
KG



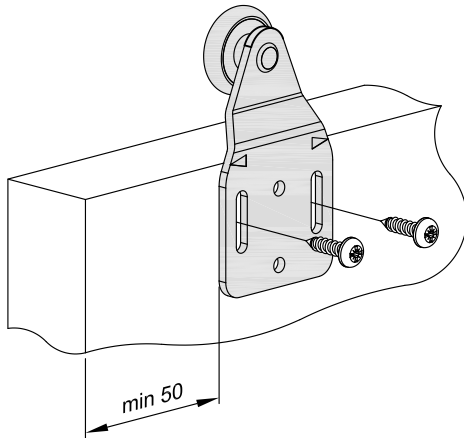
$$d = (L_0 + 2z) / 3$$



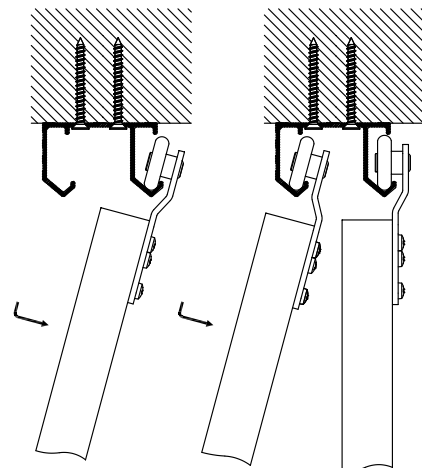
t [mm]	16;18	19	22	
y [mm]	0	1	4	4-11

t [mm]	>22	
y [mm]	t-9	4-11

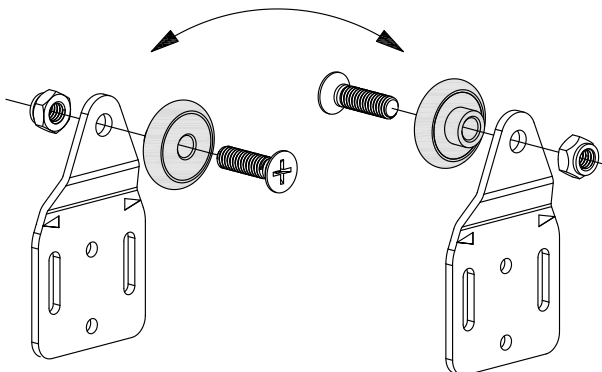
**1**



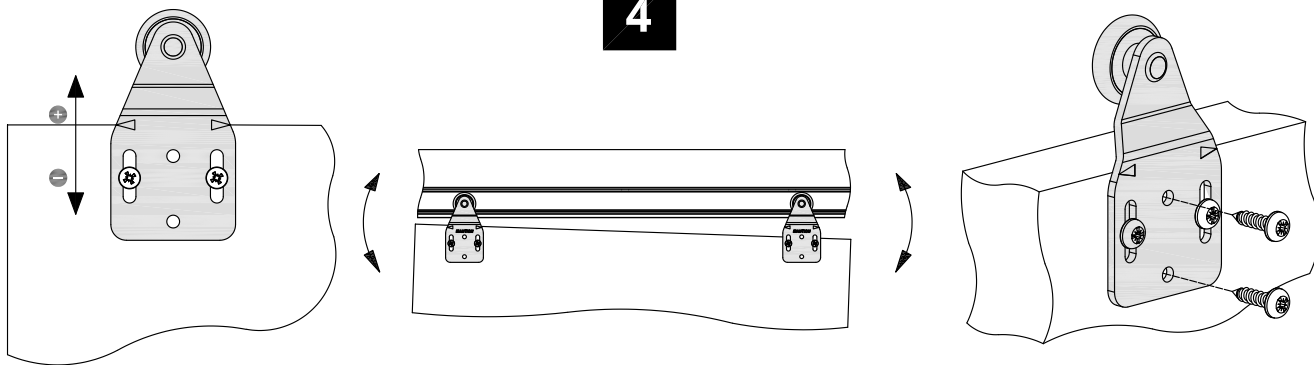
**2**



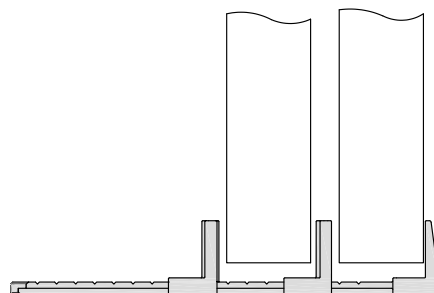
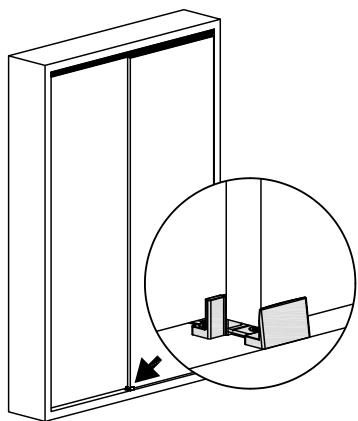
**3**



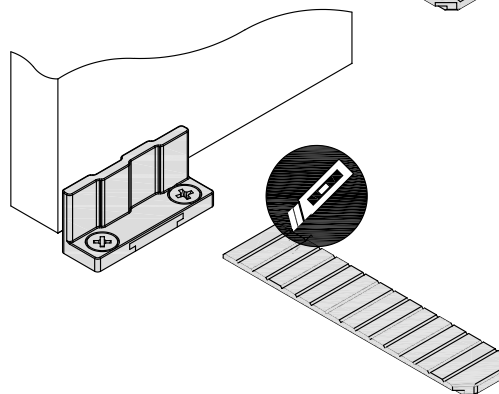
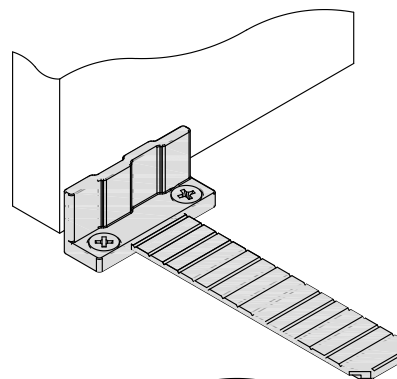
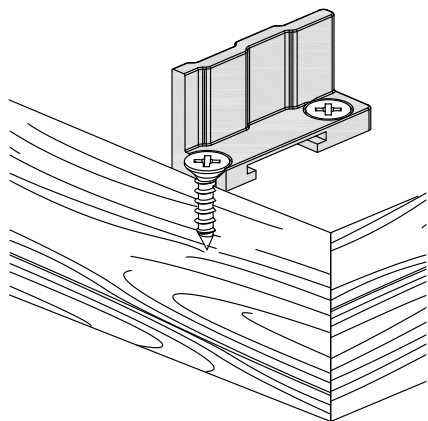
4



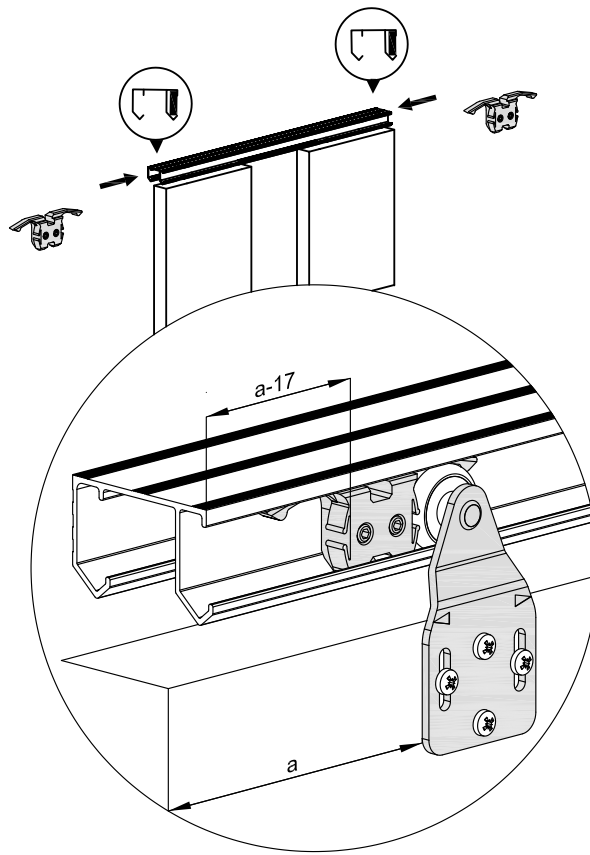
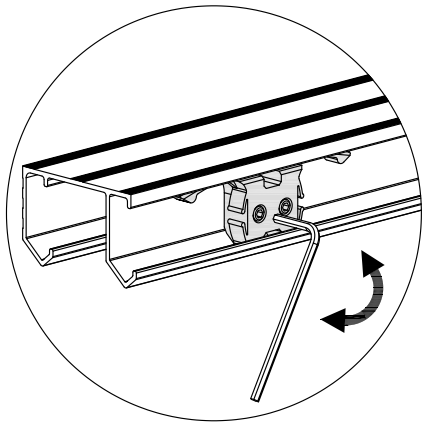
5



6



7



8

