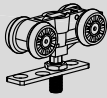


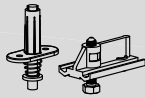
**SLID'UP**  
by MANTION

INSTRUCTION DE MONTAGE  
MONTAGEANLEITUNG  
INSTRUCTIONS FOR ASSEMBLY  
INSTRUCCIONES DE MONTAJE  
INSTRUKCJA MONTAŻU

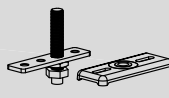
**SLID'UP 150**  
SU5125



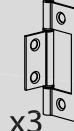
x1



x1



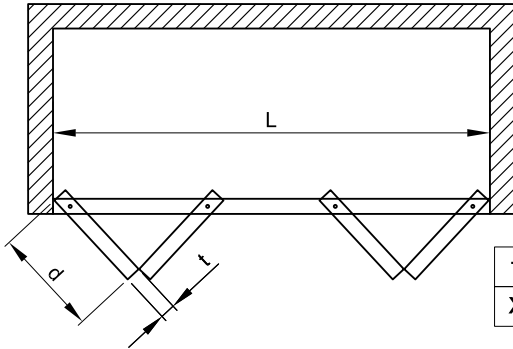
x1



x3

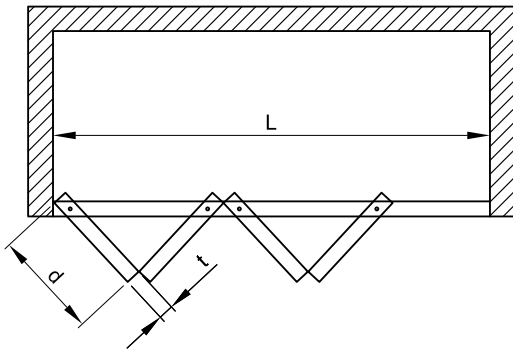


40  
KG

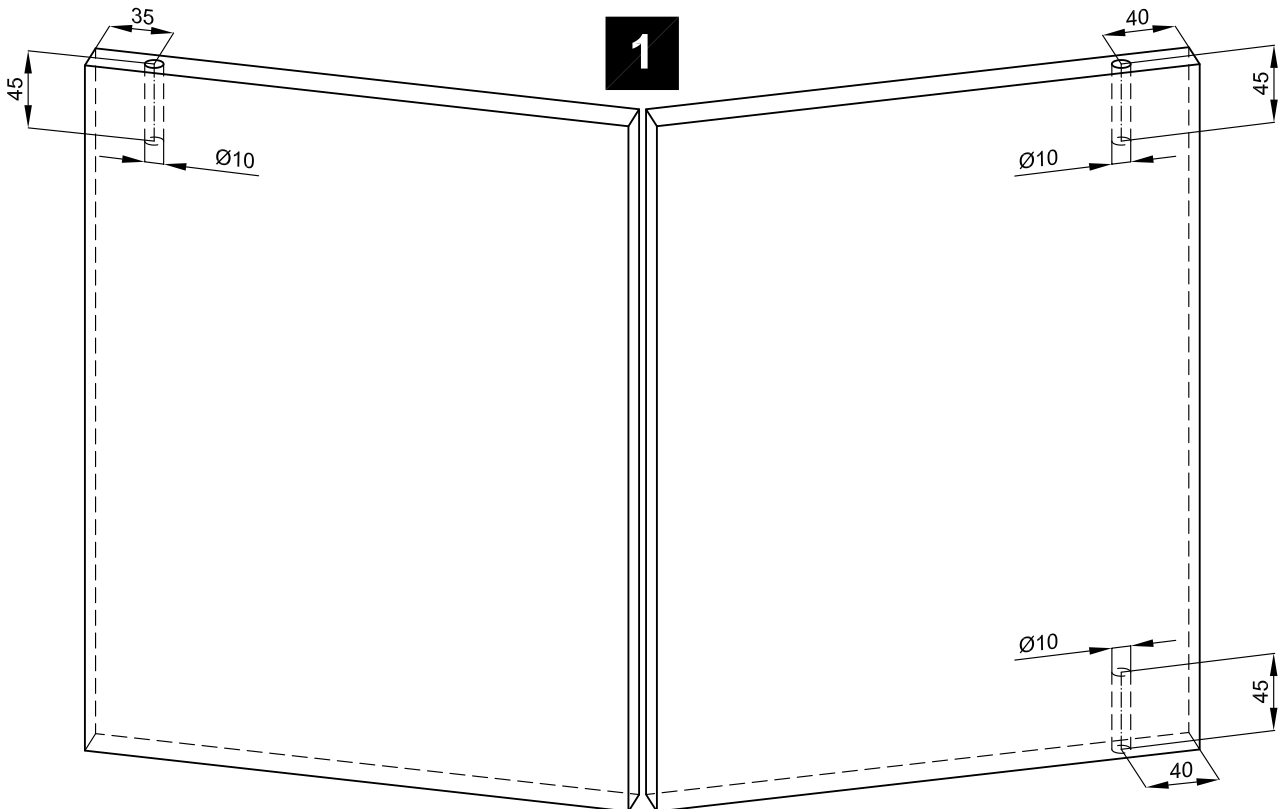
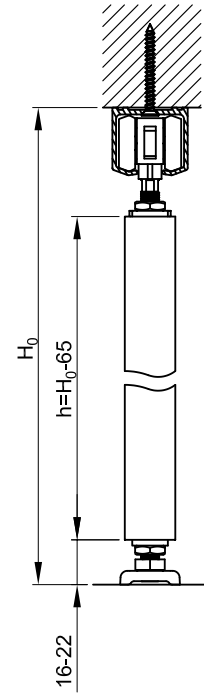


$$d = (L - 2x - 8) / 4$$

t [mm]	<22	22,25	28,32	40
x [mm]	0	3	4	6

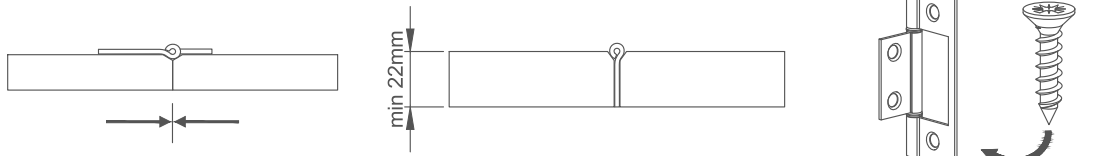


$$d = (L - x - 8) / 4$$



1

2



3

