



x2



x2



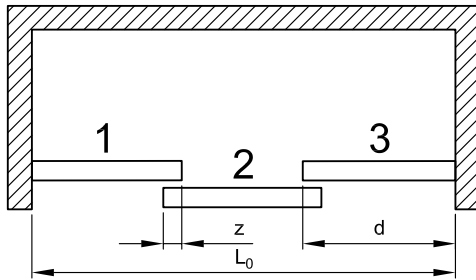
x2



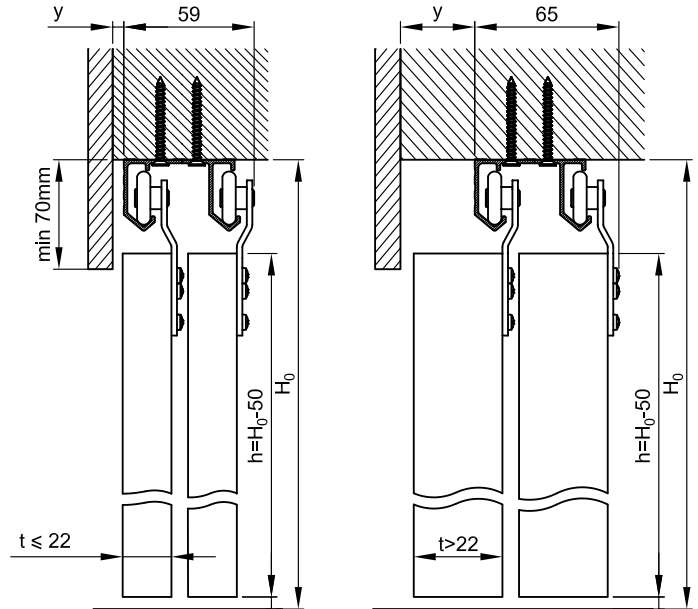
x1



45  
KG



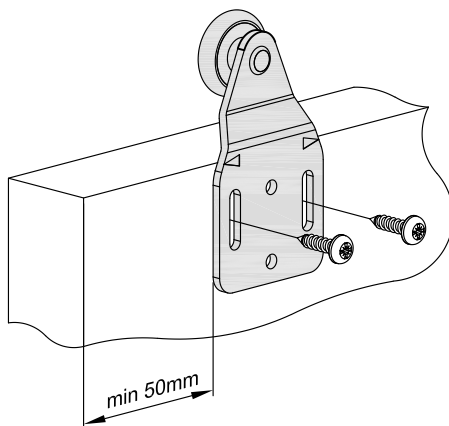
$$d = (L_0 + 2z) / 3$$



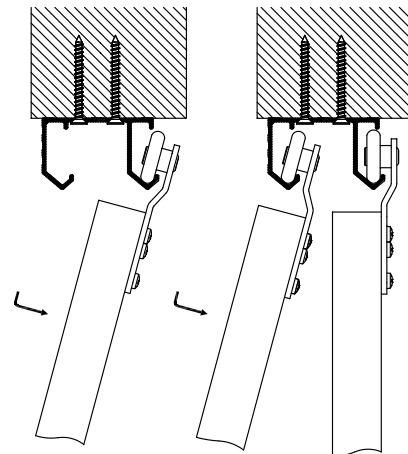
t [mm]	16;18	19	22	4 - 11
y [mm]	0	1	4	

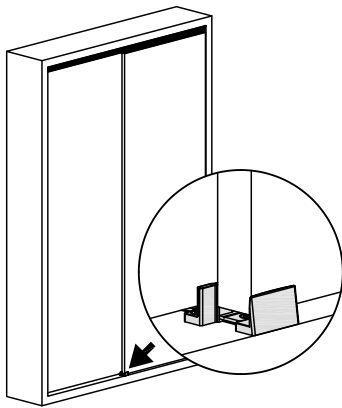
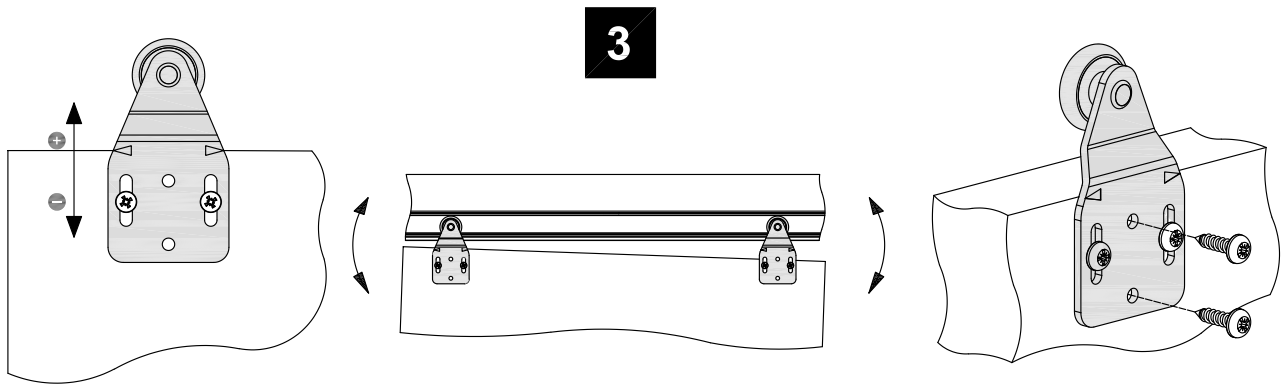
t [mm]	>22	4 - 11
y [mm]	t-9	

1

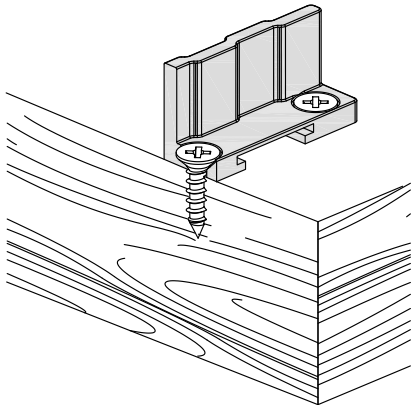
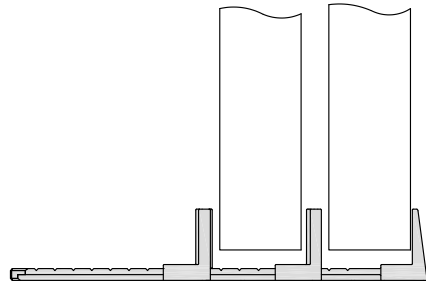


2

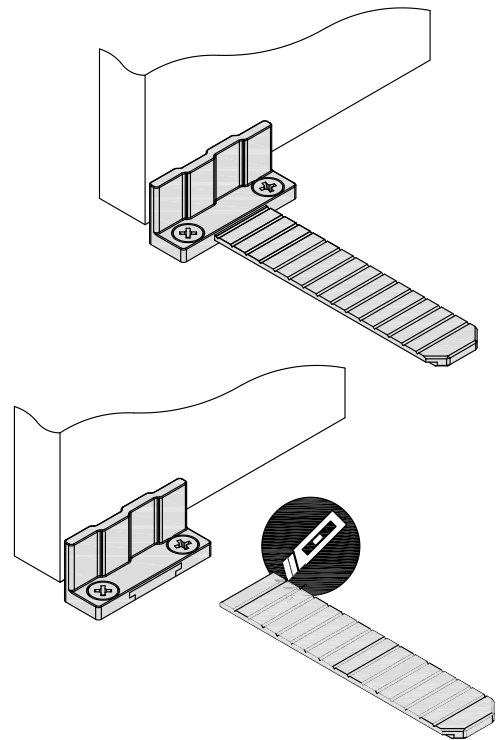




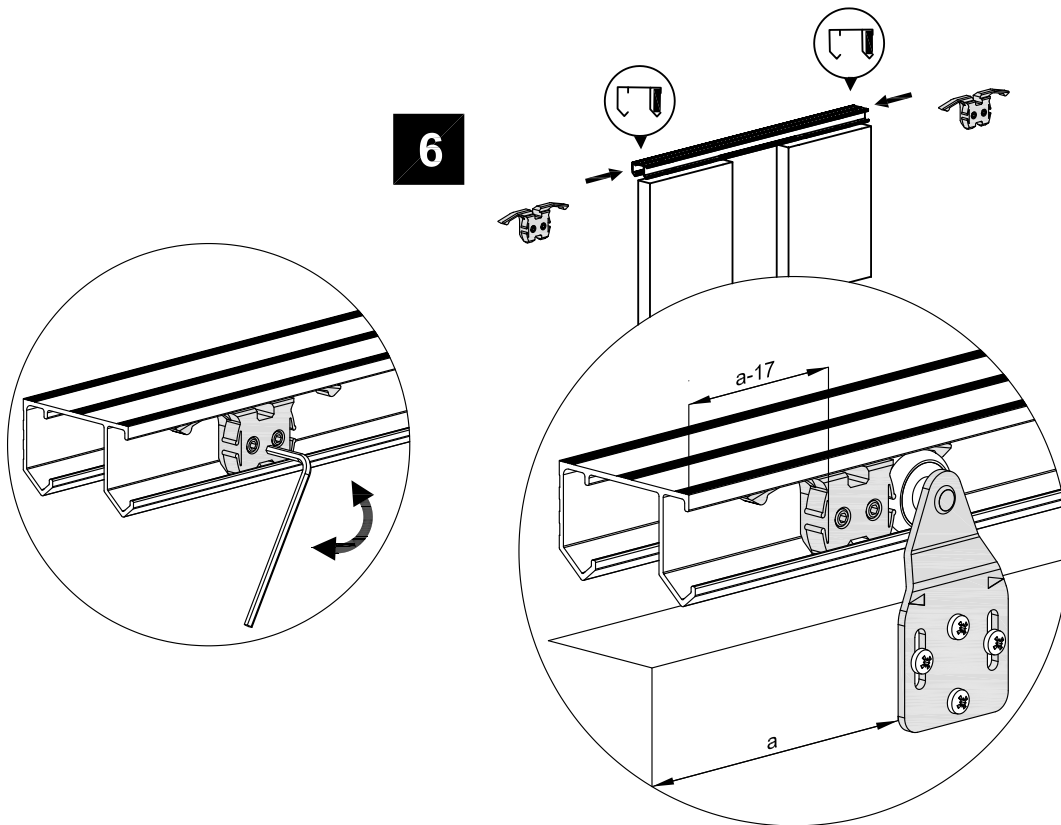
**4**



**5**



6



7

