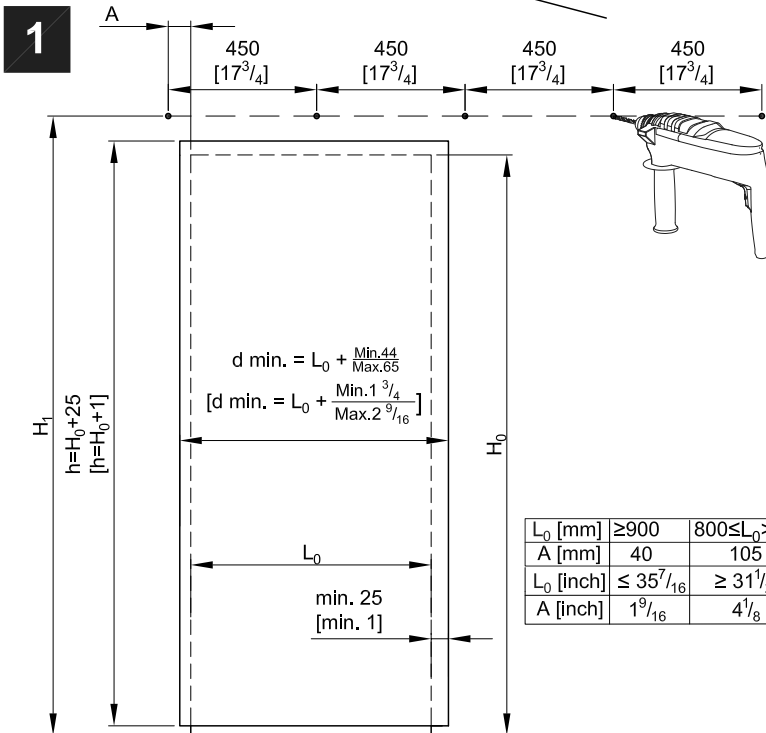
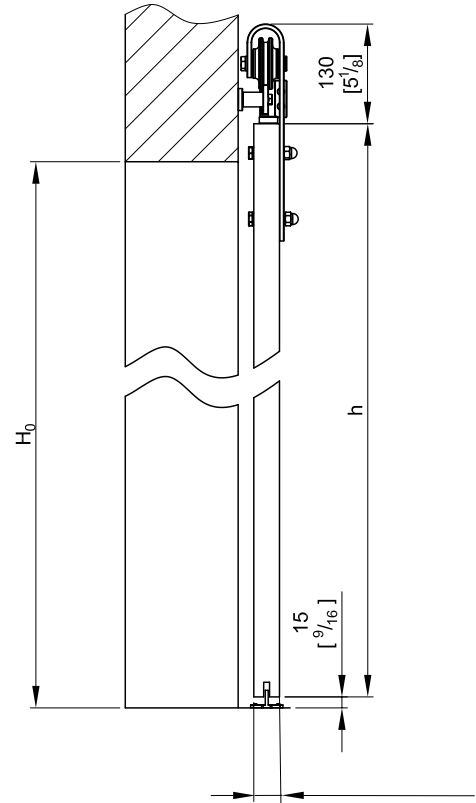
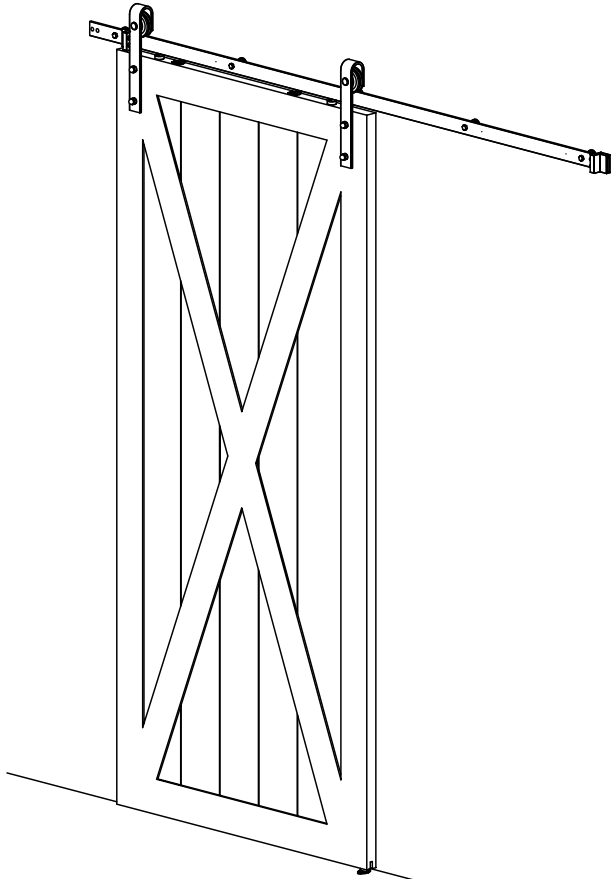
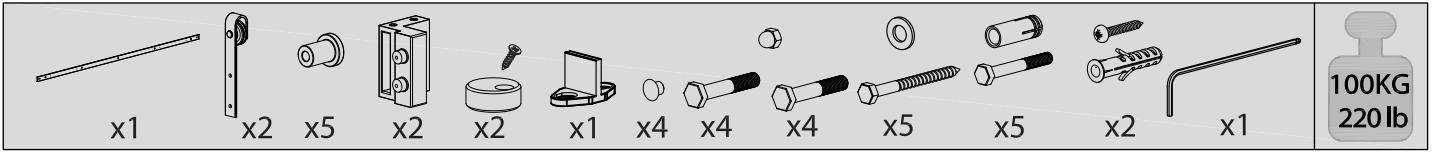


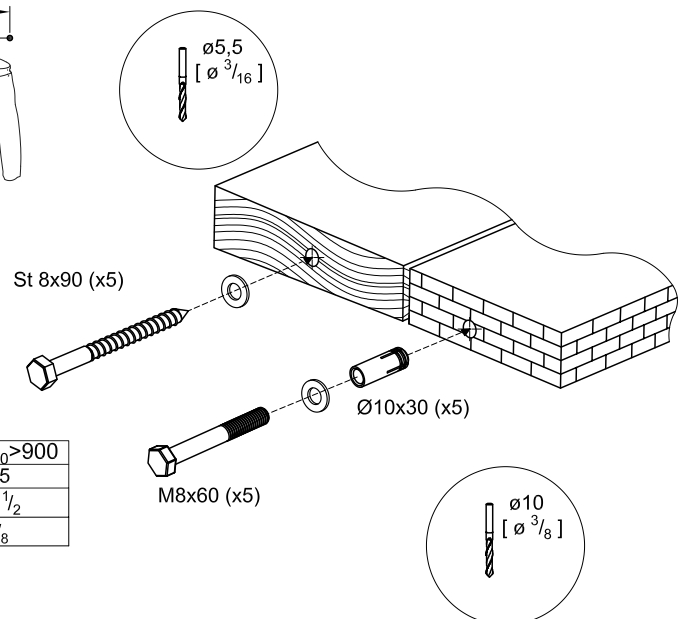
**SLID'UP**  
by MANTION

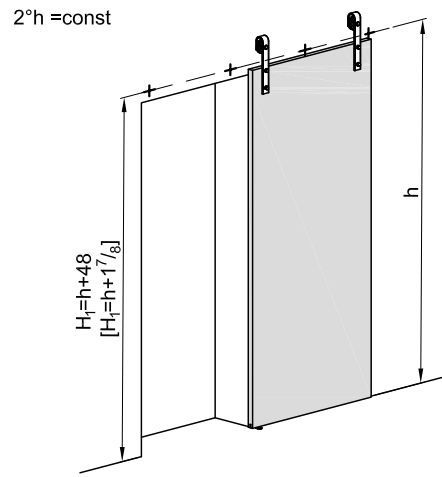
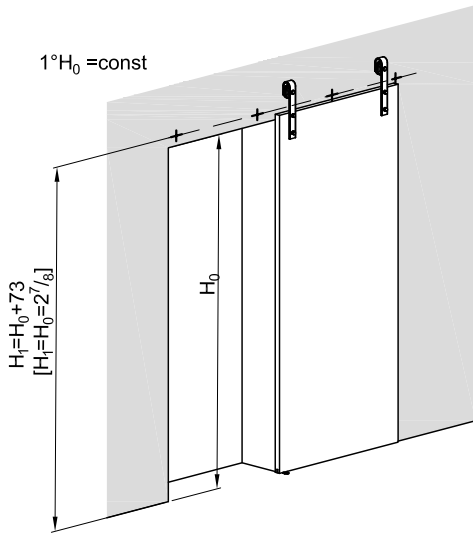
INSTRUCTION DE MONTAGE  
MONTAGEANLEITUNG  
INSTRUCTIONS FOR ASSEMBLY  
INSTRUCCIONES DE MONTAJE  
INSTRUKCJA MONTAŻU

**SLID'UP 240**  
SU5371



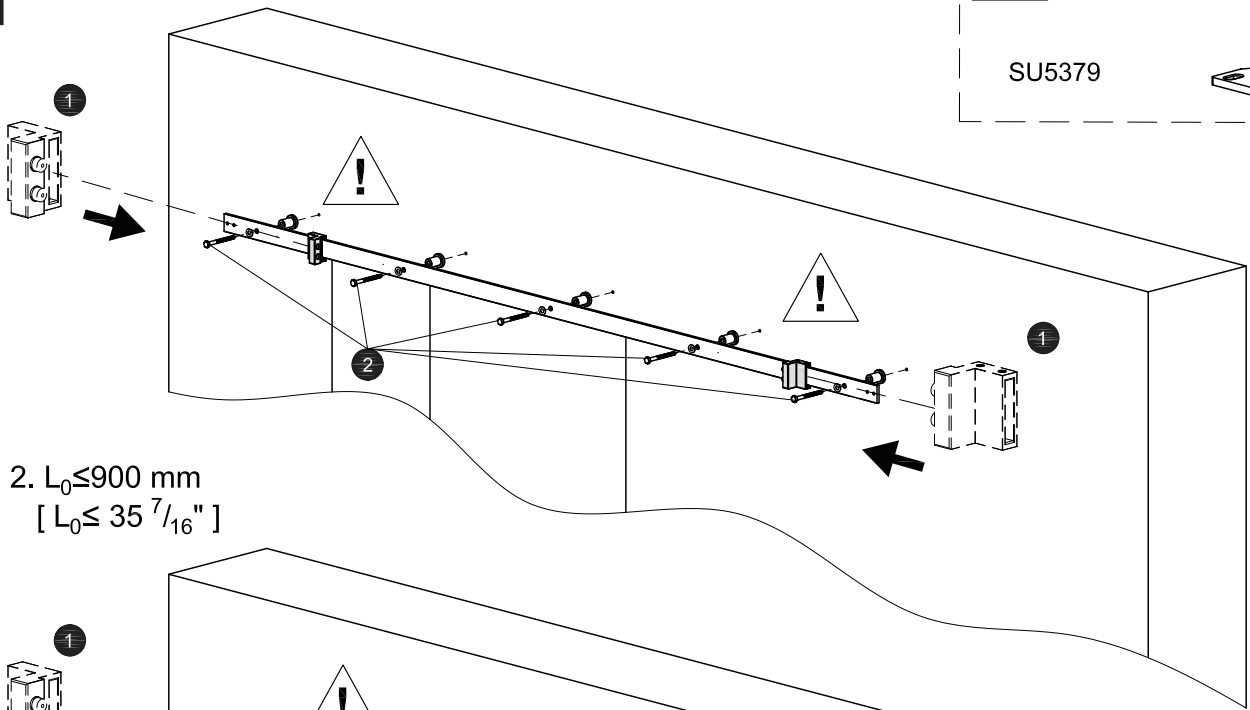
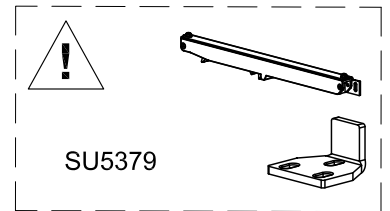
$L_0$ [mm]	$\geq 900$	$800 \leq L_0 < 900$
A [mm]	40	105
$L_0$ [inch]	$\leq 35 \frac{7}{16}$	$\geq 31 \frac{1}{2}$
A [inch]	$1 \frac{9}{16}$	$4 \frac{1}{8}$



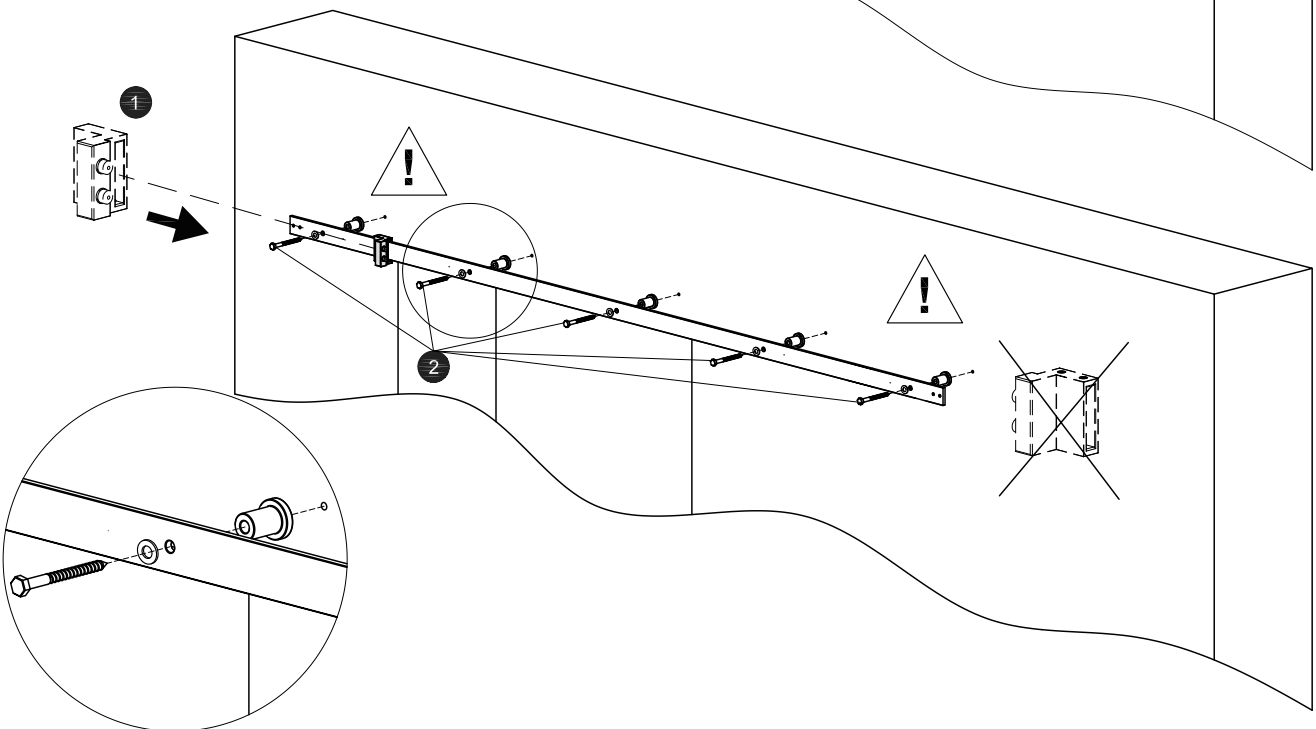


**2**

1.  $L_0 \geq 800 \text{ mm}$   
 $[L_0 \geq 31 \frac{1}{2} \text{ "}]$

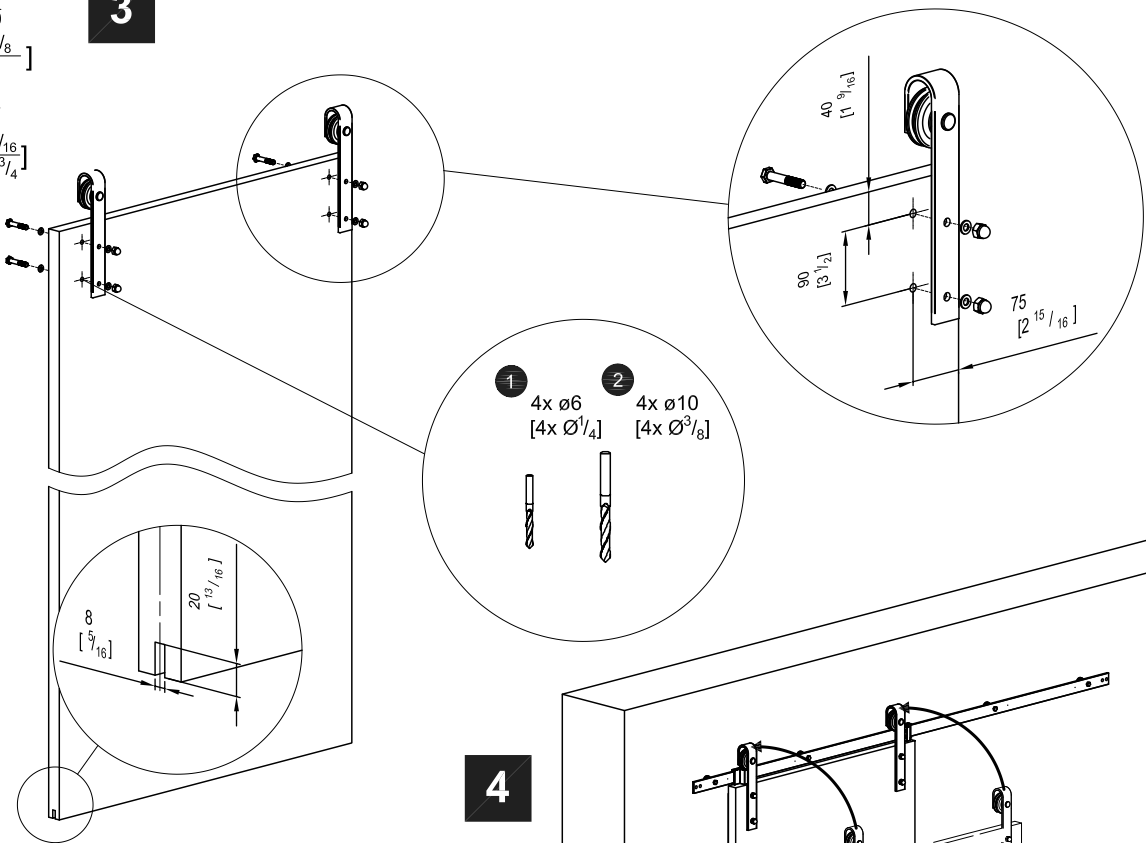


2.  $L_0 \leq 900 \text{ mm}$   
 $[L_0 \leq 35 \frac{7}{16} \text{ "}]$

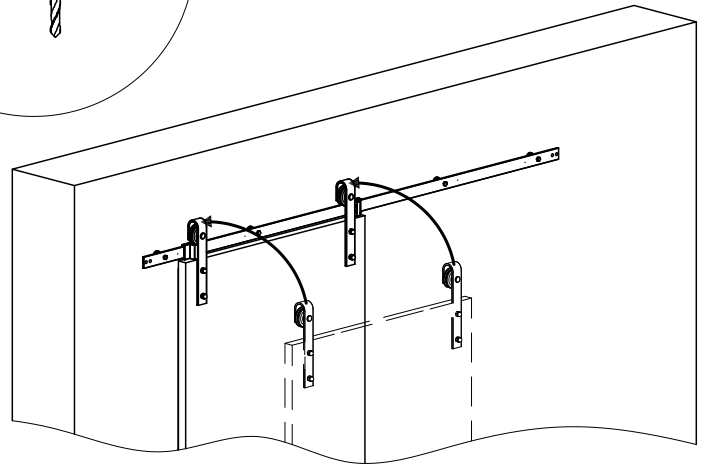


M10x55 s=  $\frac{\text{Min. } 35}{\text{Max. } 40}$   
 [S=  $\frac{\text{Min. } 1 \frac{3}{8}}{\text{Max. } 1}$  ]  
 M10x60 s=  $\frac{\text{Min. } 40}{\text{Max. } 45}$   
 [S=  $\frac{\text{Min. } 1 \frac{9}{16}}{\text{Max. } 1 \frac{3}{4}}$  ]

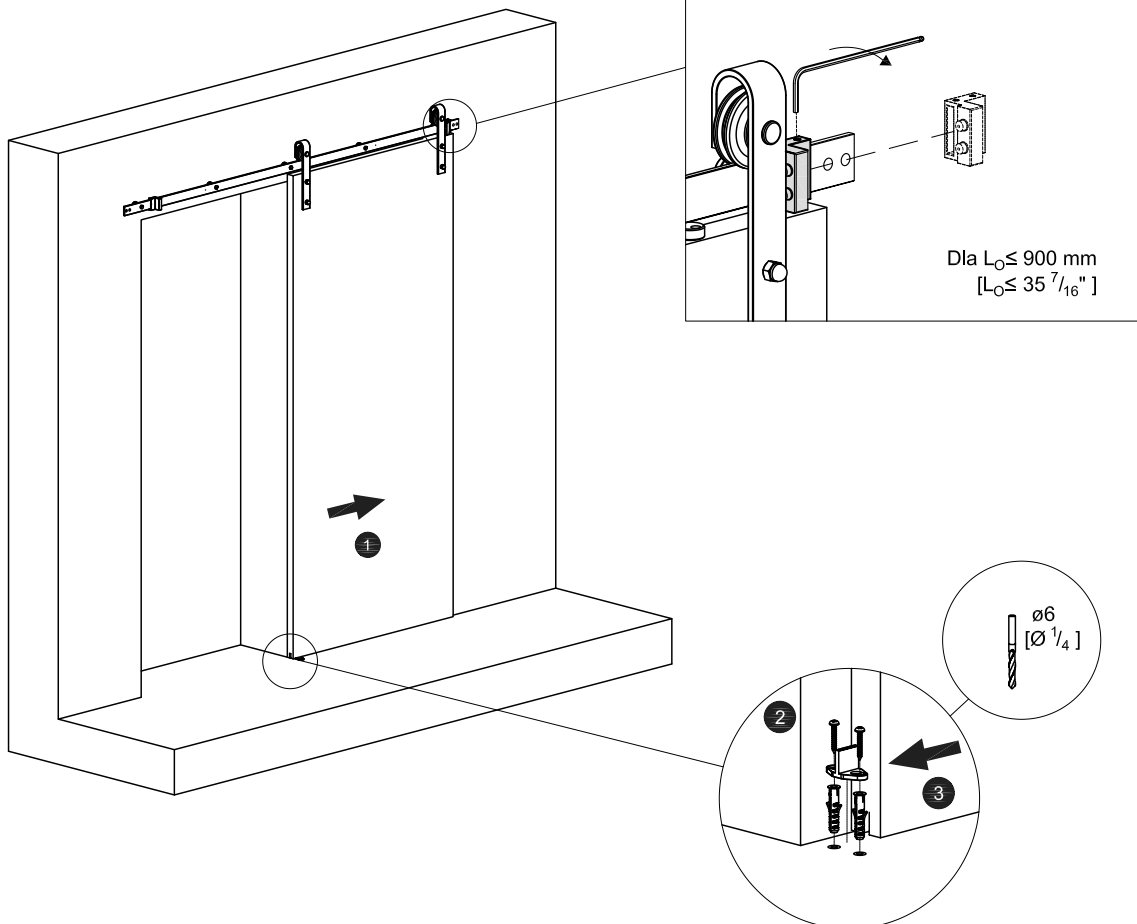
**3**



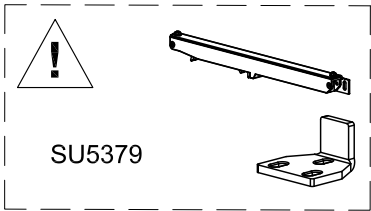
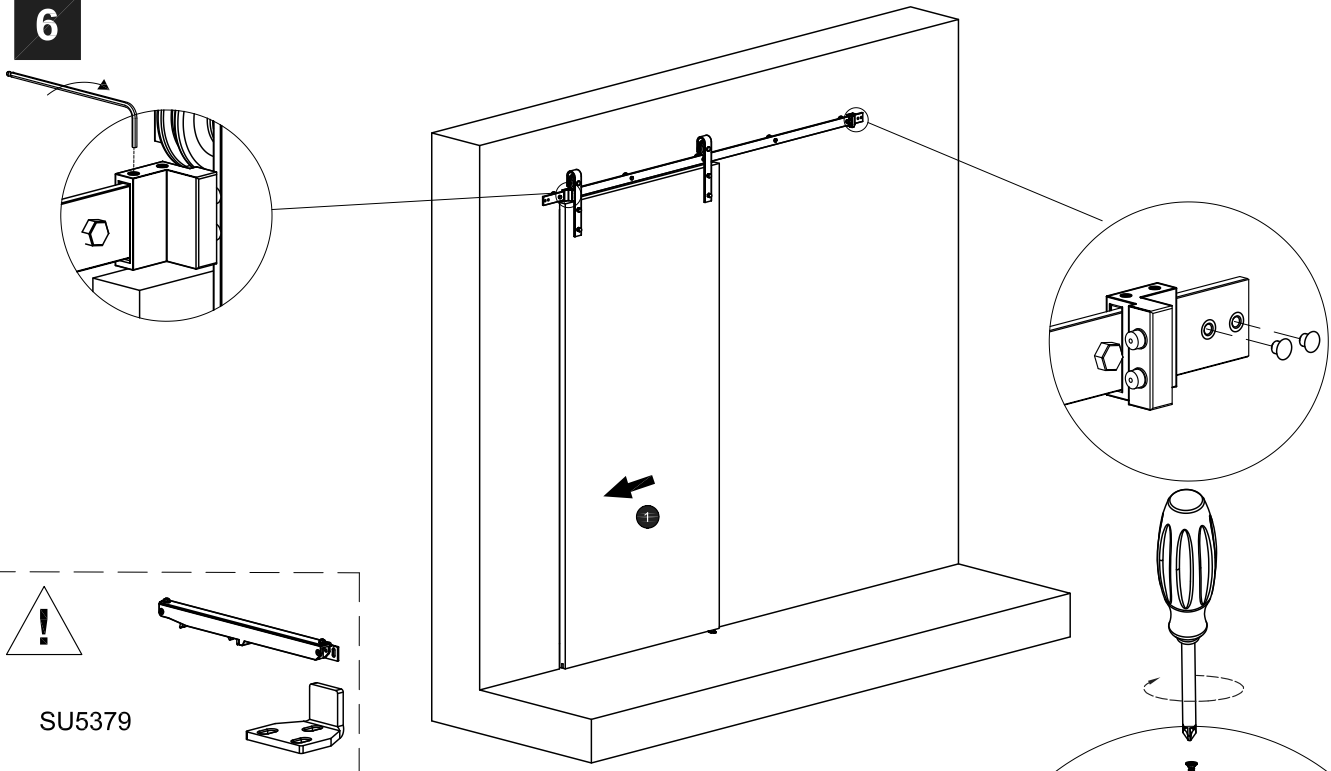
**4**



**5**



6



7

