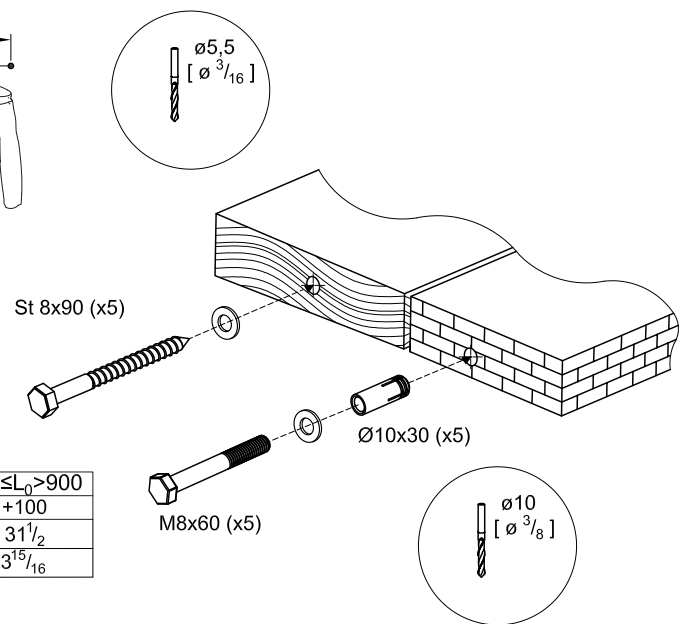
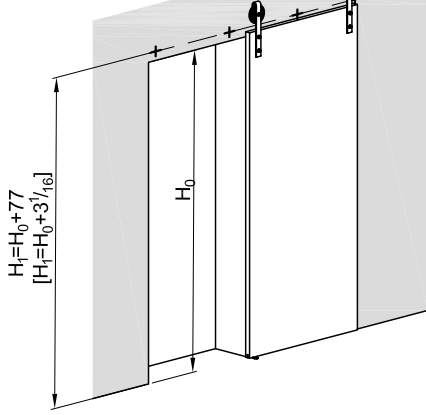


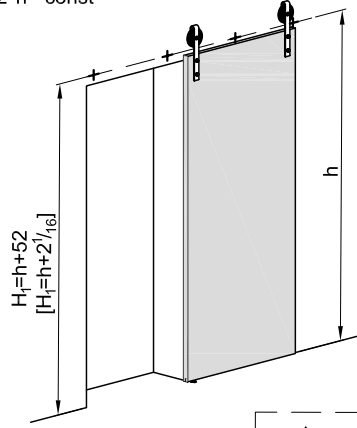
L_0 [mm]	≥ 900	$800 \leq L_0 < 900$
A [mm]	-50	+100
L_0 [inch]	$\leq 35 \frac{7}{16}$	$\geq 31 \frac{1}{2}$
A [inch]	-2	$+3 \frac{15}{16}$



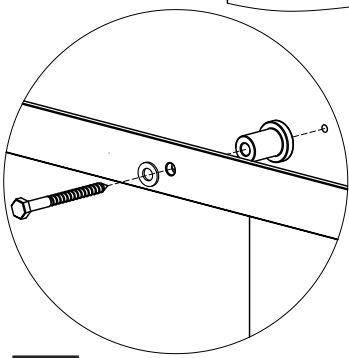
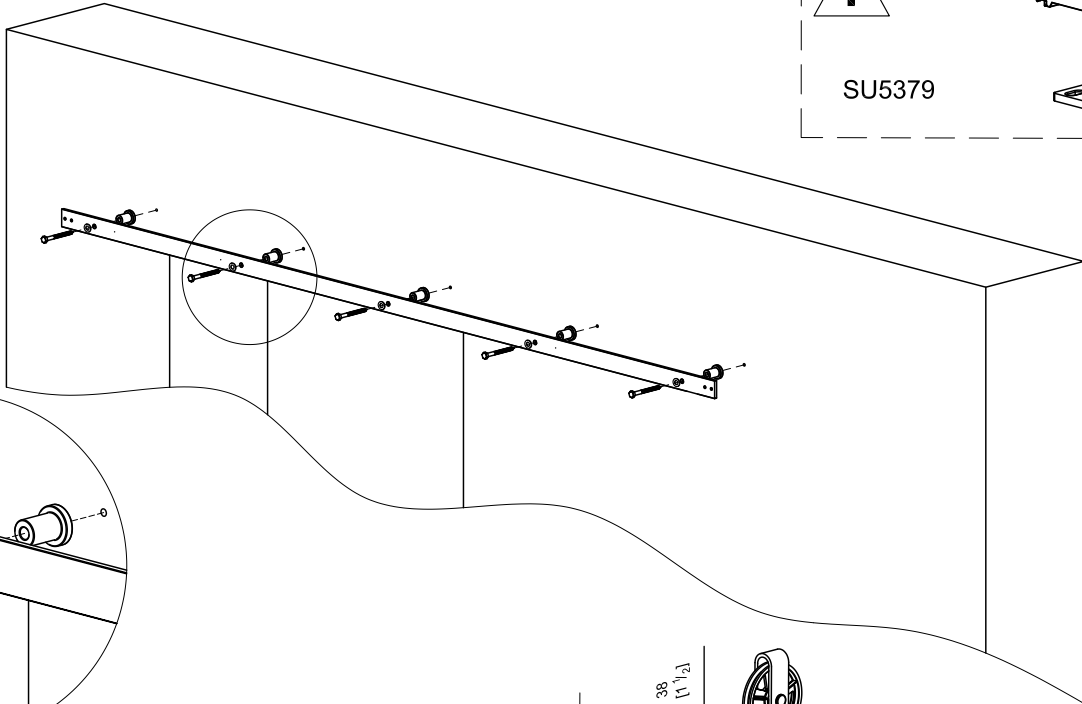
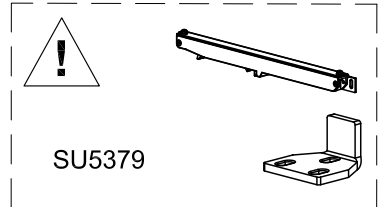
1°H₀ =const



2°h =const



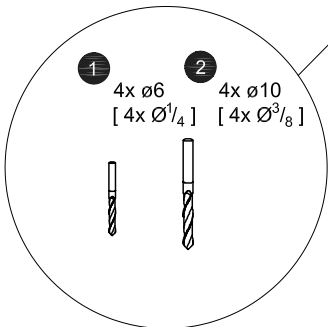
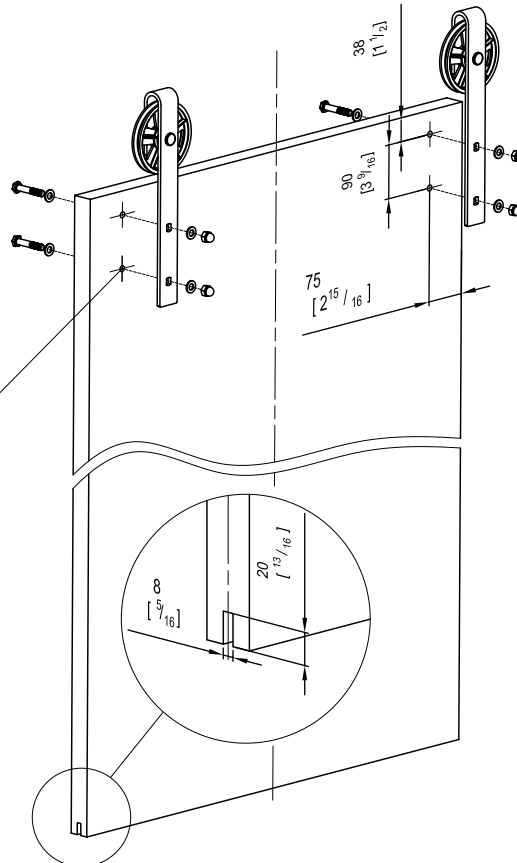
2



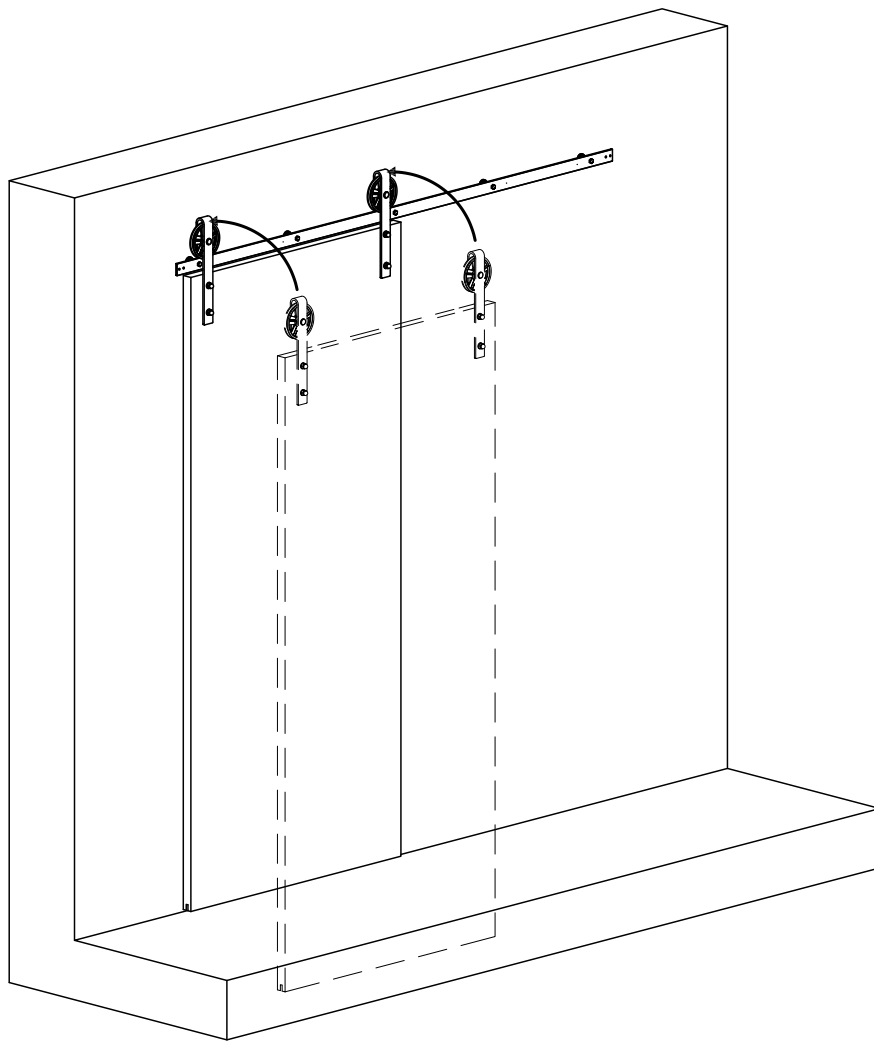
3

M10x55 s = $\begin{matrix} \text{Min. } 35 \\ \text{Max. } 40 \\ \text{Min. } 1\frac{3}{8} \\ \text{Max. } 1 \end{matrix}$
 $[s = \text{Max. } 1]$

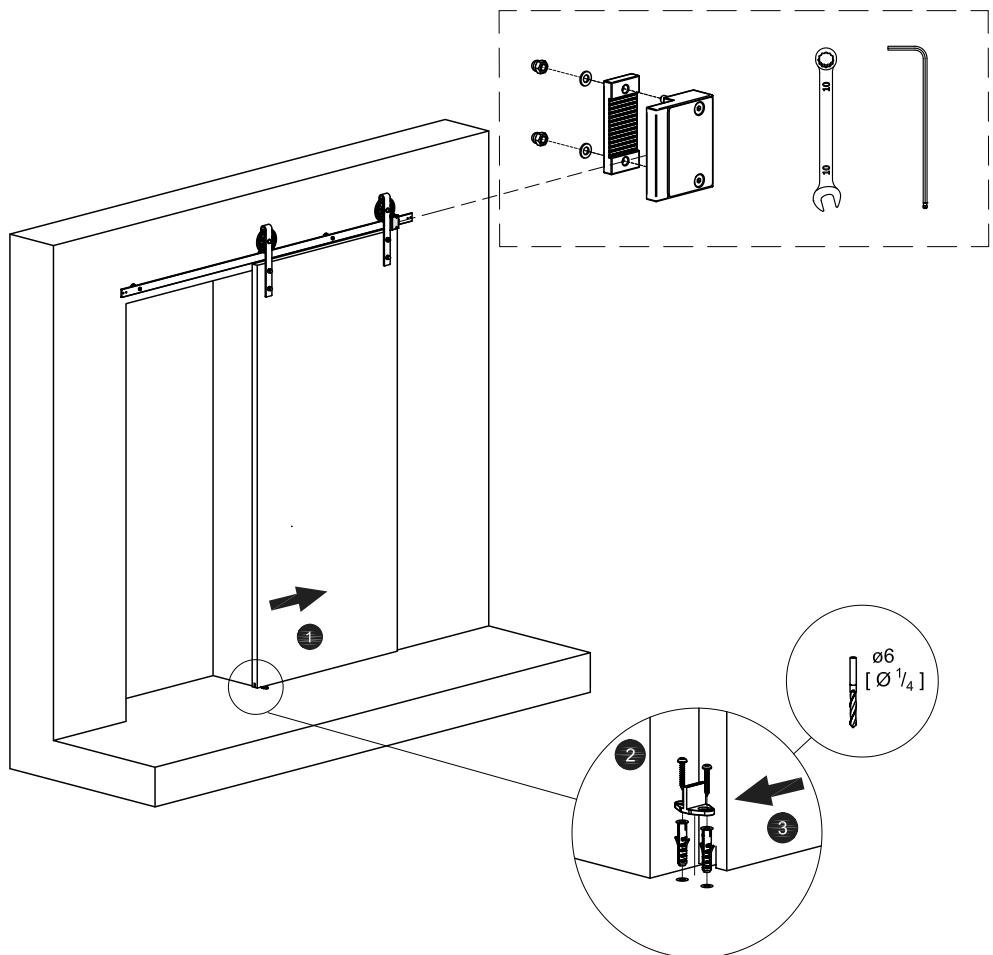
M10x60 s = $\begin{matrix} \text{Min. } 40 \\ \text{Max. } 45 \\ \text{Min. } 1\frac{9}{16} \\ \text{Max. } 1\frac{3}{4} \end{matrix}$
 $[s = \text{Max. } 1\frac{3}{4}]$



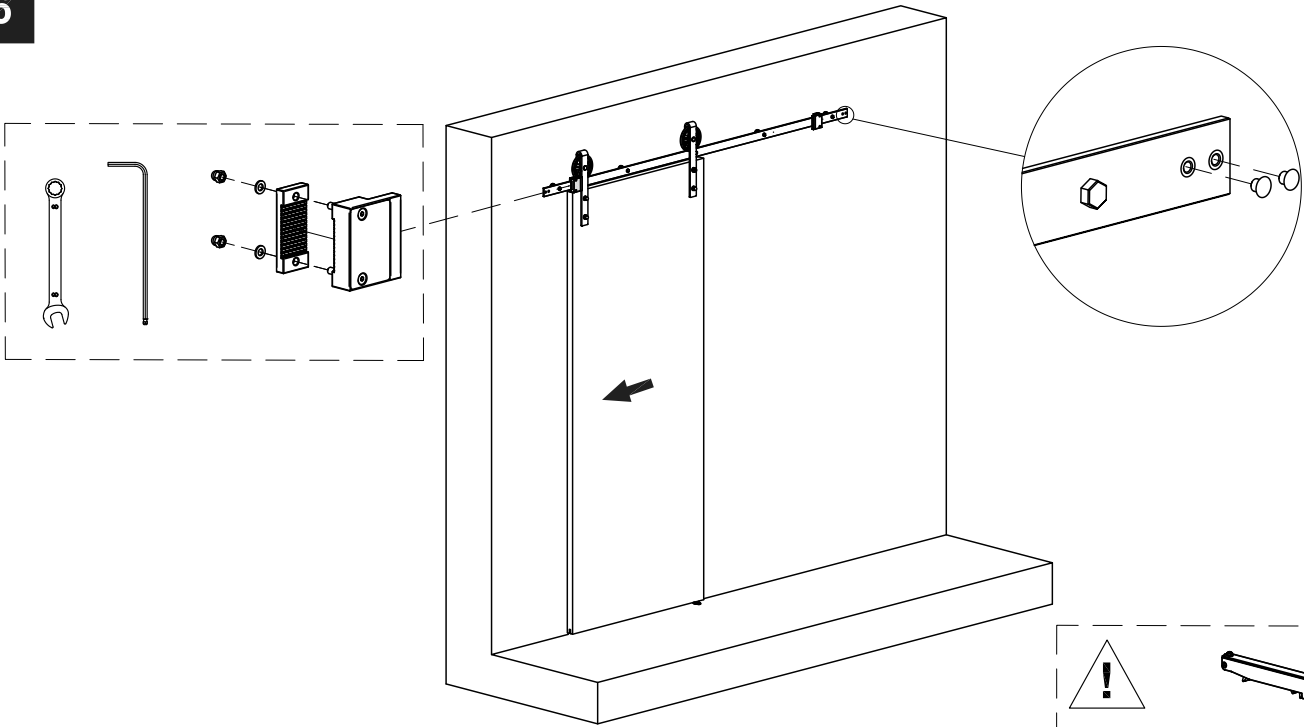
4



5



6



7

