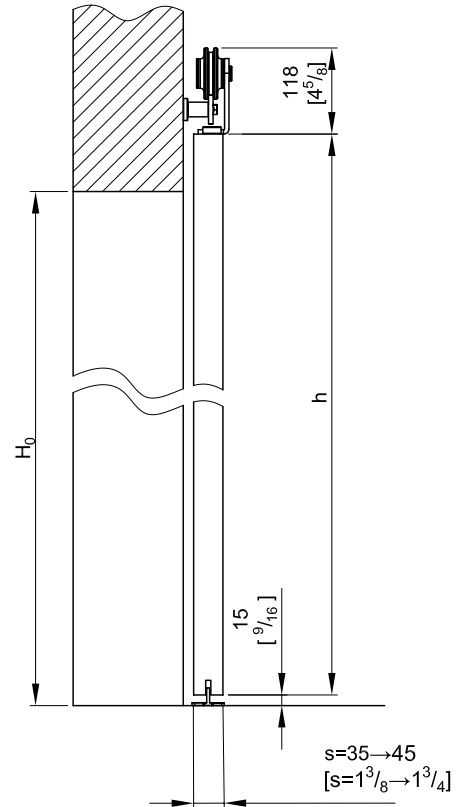
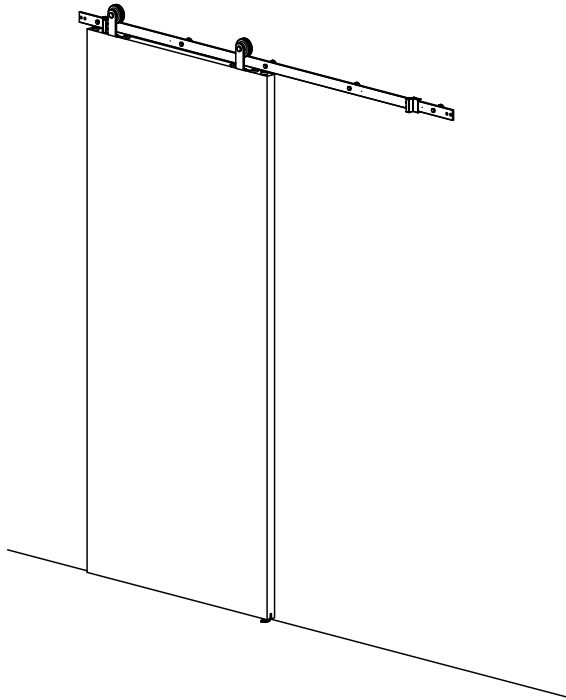
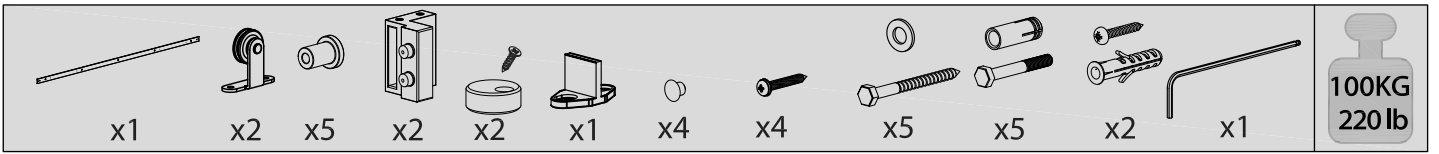


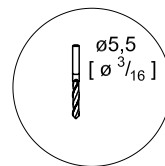
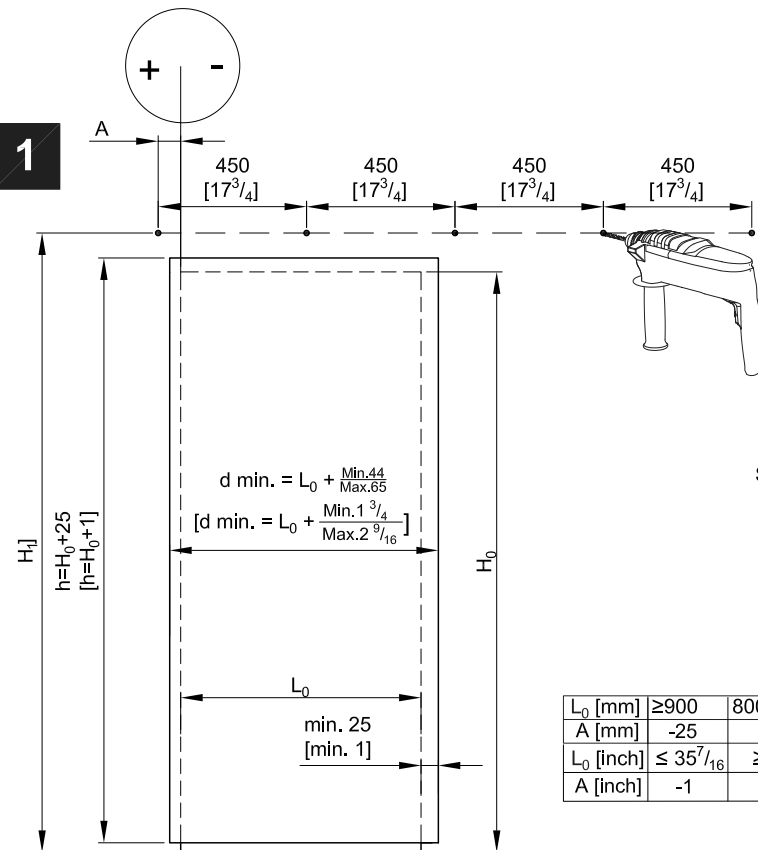
**SLID'UP**  
by MANTION

INSTRUCTION DE MONTAGE  
MONTAGEANLEITUNG  
INSTRUCTIONS FOR ASSEMBLY  
INSTRUCCIONES DE MONTAJE  
INSTRUKCJA MONTAŻU

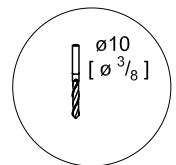
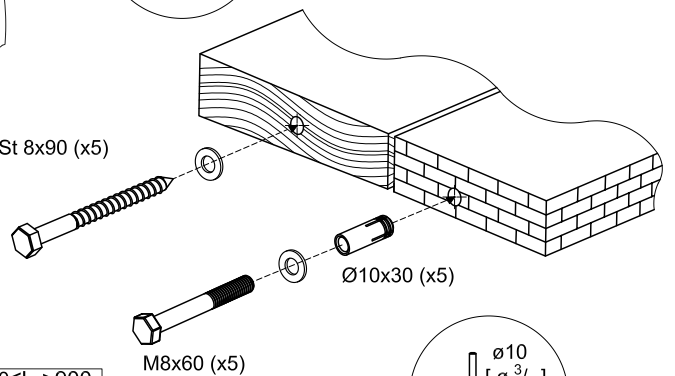
**SLID'UP 240**  
SU5372



**1**



St 8x90 (x5)



L <sub>0</sub> [mm]	≥900	800 ≤ L <sub>0</sub> < 900
A [mm]	-25	+40
L <sub>0</sub> [inch]	≤ 35 <sup>7</sup> / <sub>16</sub>	≥ 31 <sup>1</sup> / <sub>2</sub>
A [inch]	-1	+1 <sup>9</sup> / <sub>16</sub>

1°H<sub>0</sub> = const

$H_1 = H_0 + 73$   
[ $H_1 = H_0 + 2\frac{7}{8}$ ]

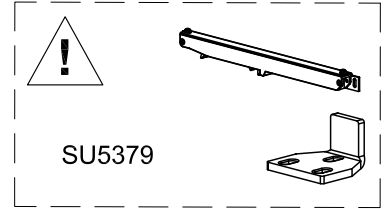
H<sub>0</sub>

2°h = const

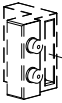
$H_1 = h + 48$   
[ $H_1 = h + 1\frac{7}{8}$ ]

h

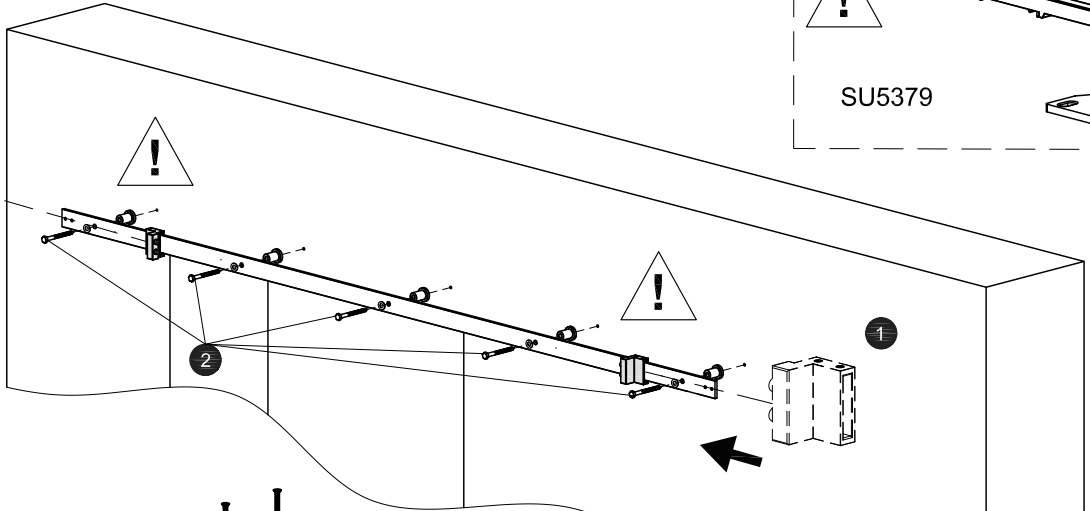
2



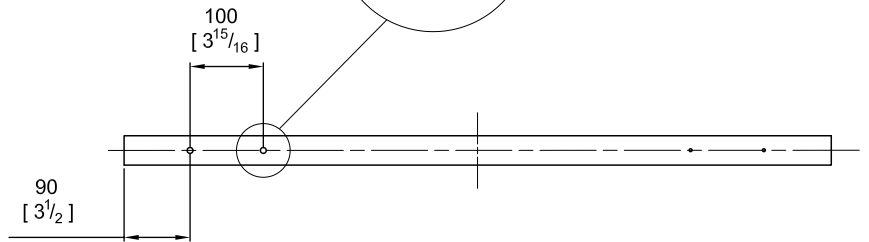
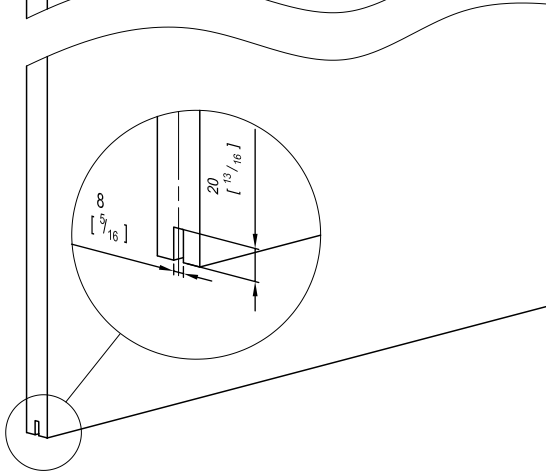
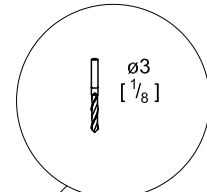
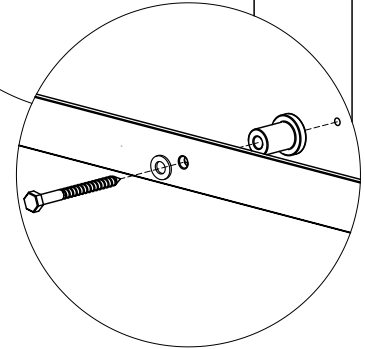
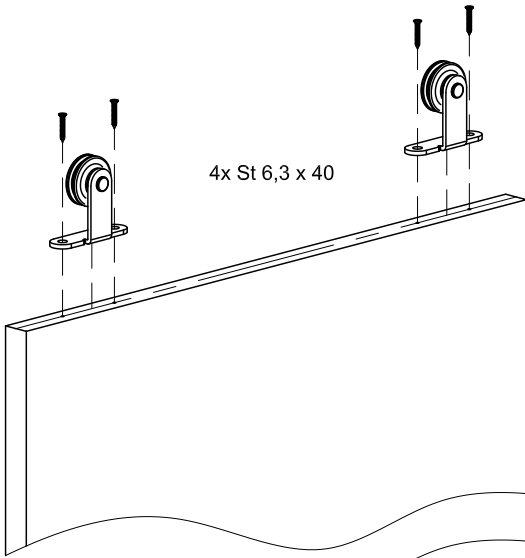
1



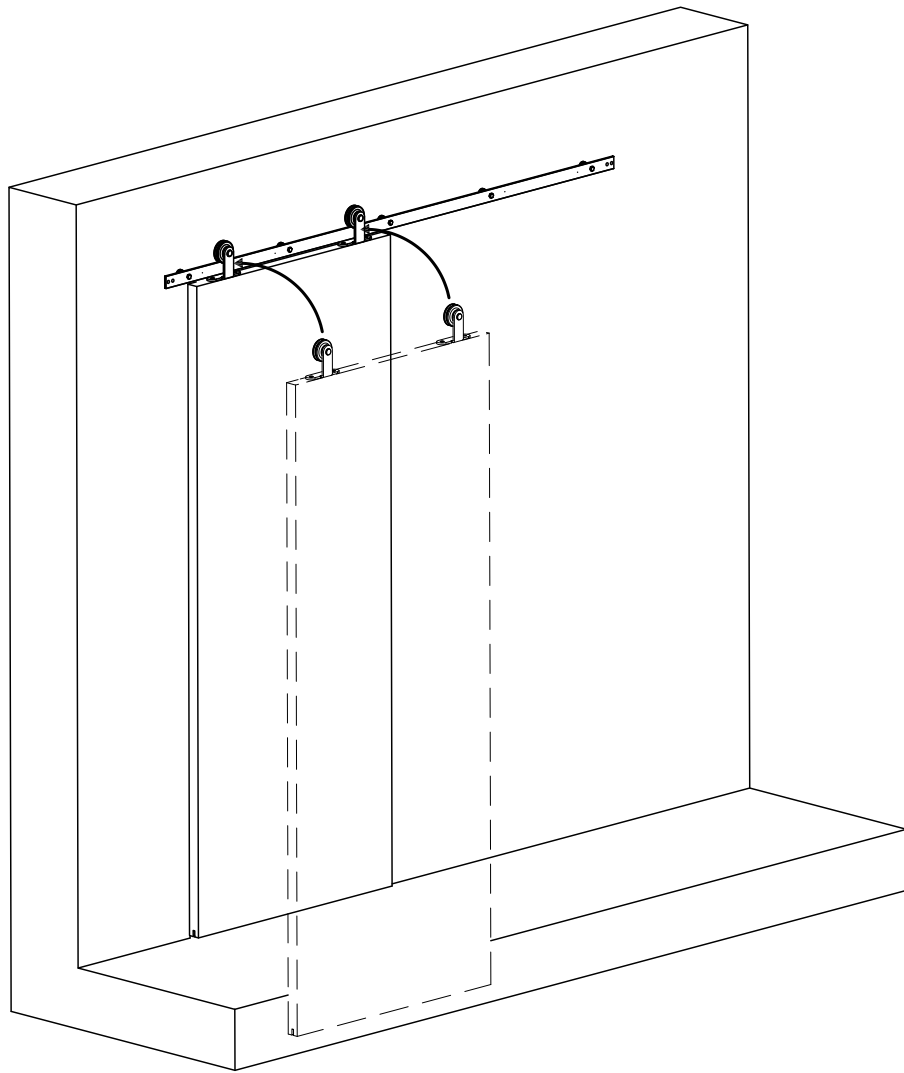
3



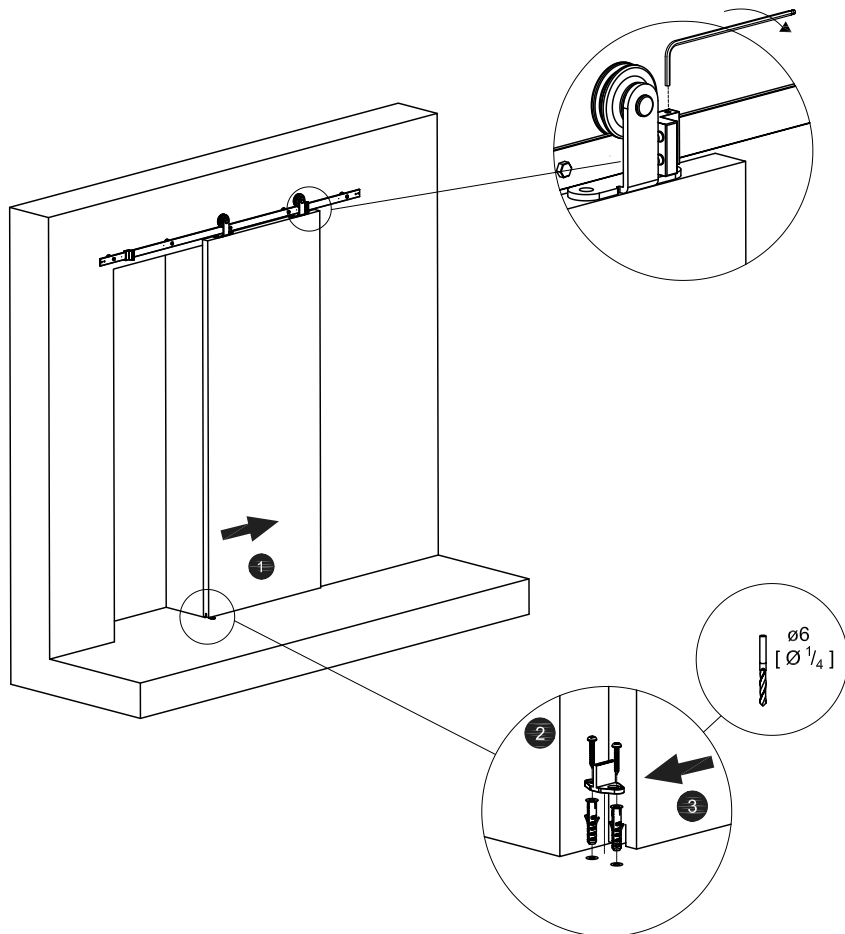
4x St 6,3 x 40



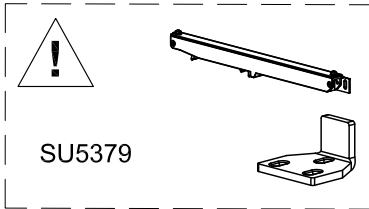
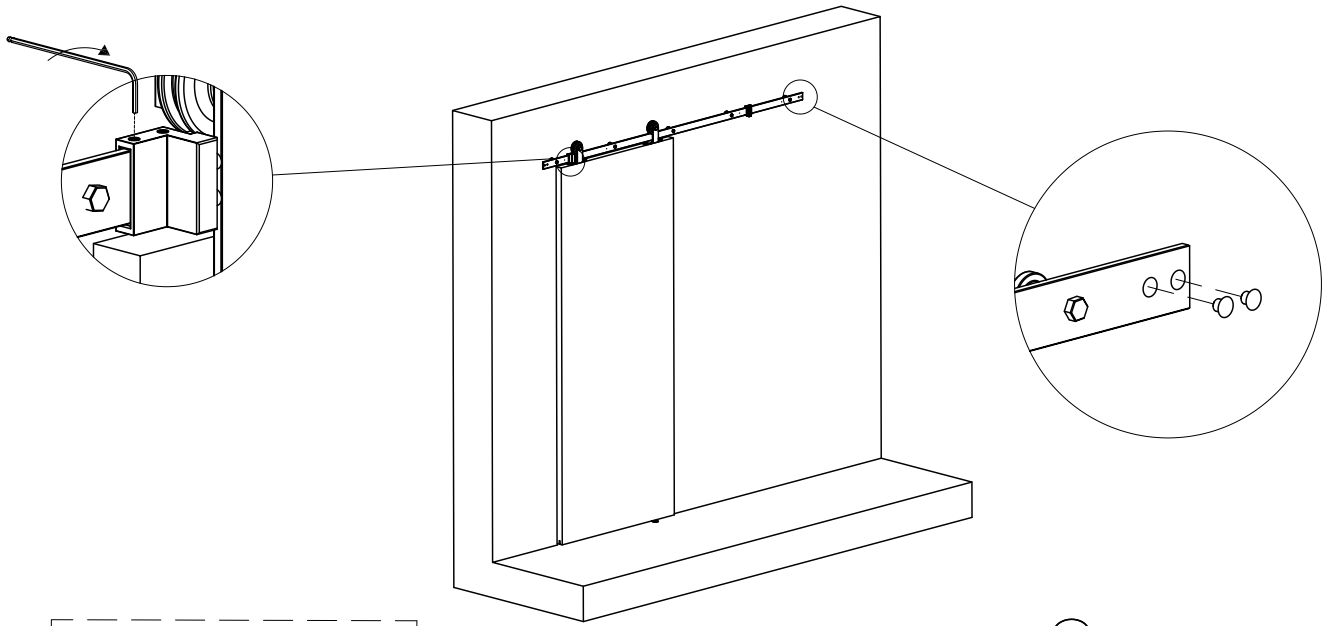
4



5



6



7

