



**SLID'UP**  
by MANTION

INSTRUCTION DE MONTAGE  
MONTAGEANLEITUNG  
INSTRUCTIONS FOR ASSEMBLY  
INSTRUCCIONES DE MONTAJE

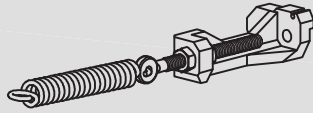
**SLID'UP 190**  
SU5383



x1



x2



x1



x1



x1



x2



x3

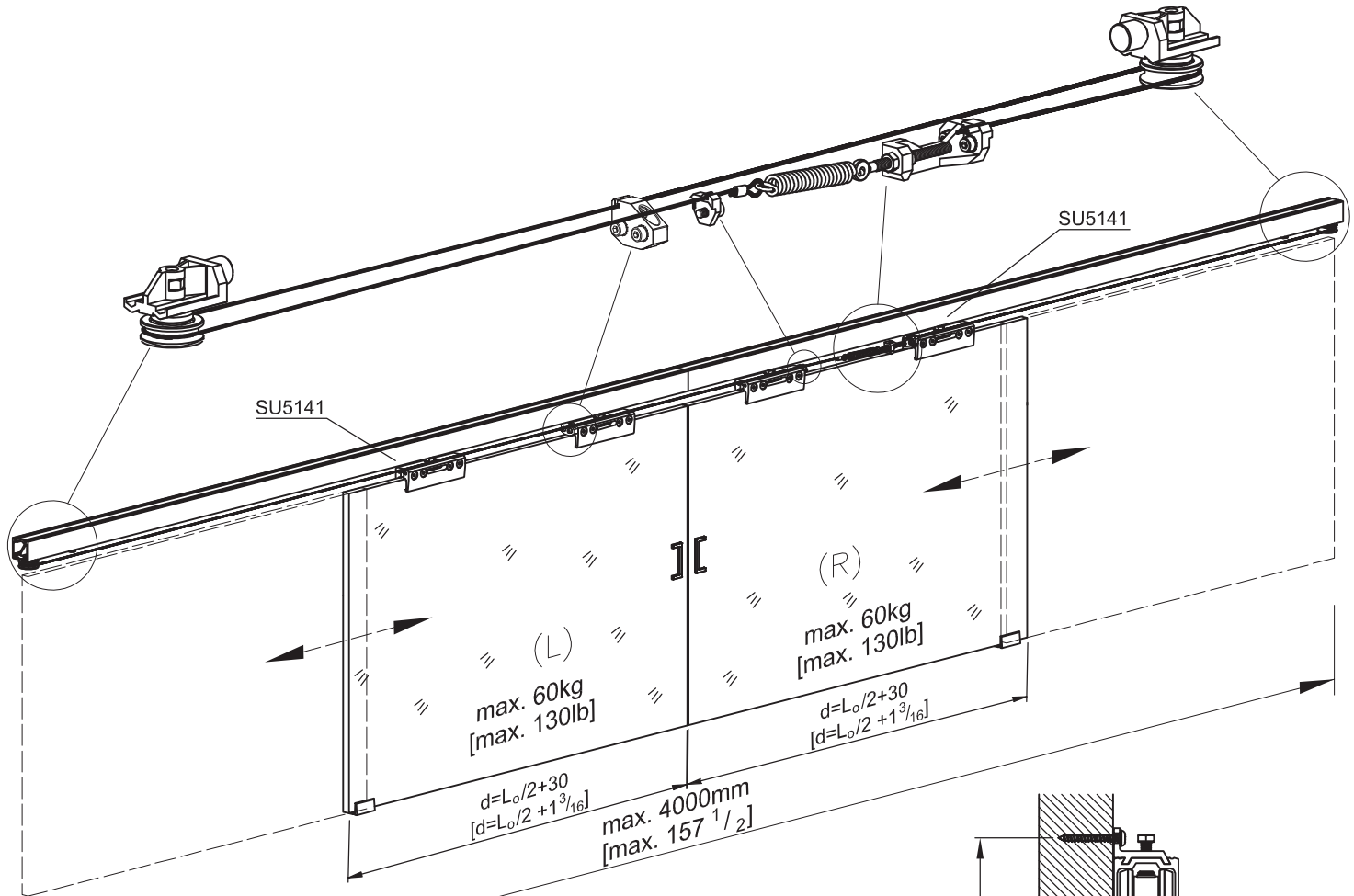


x5

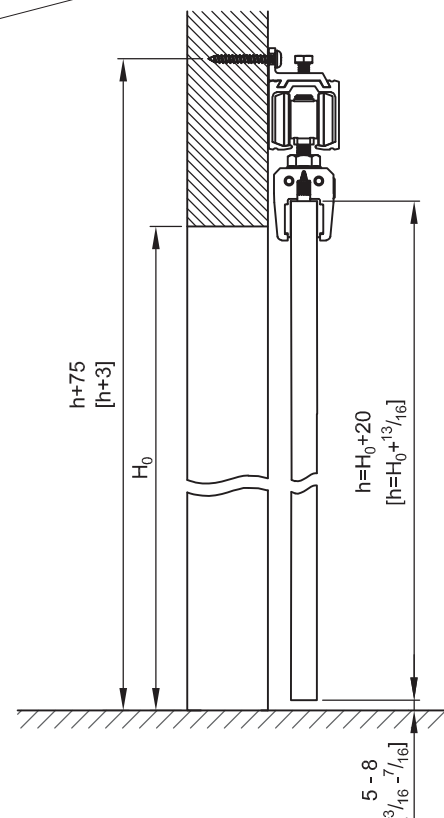
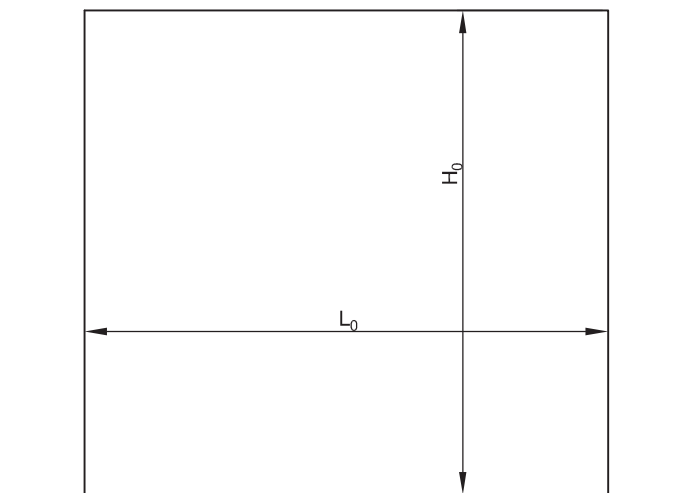


x1

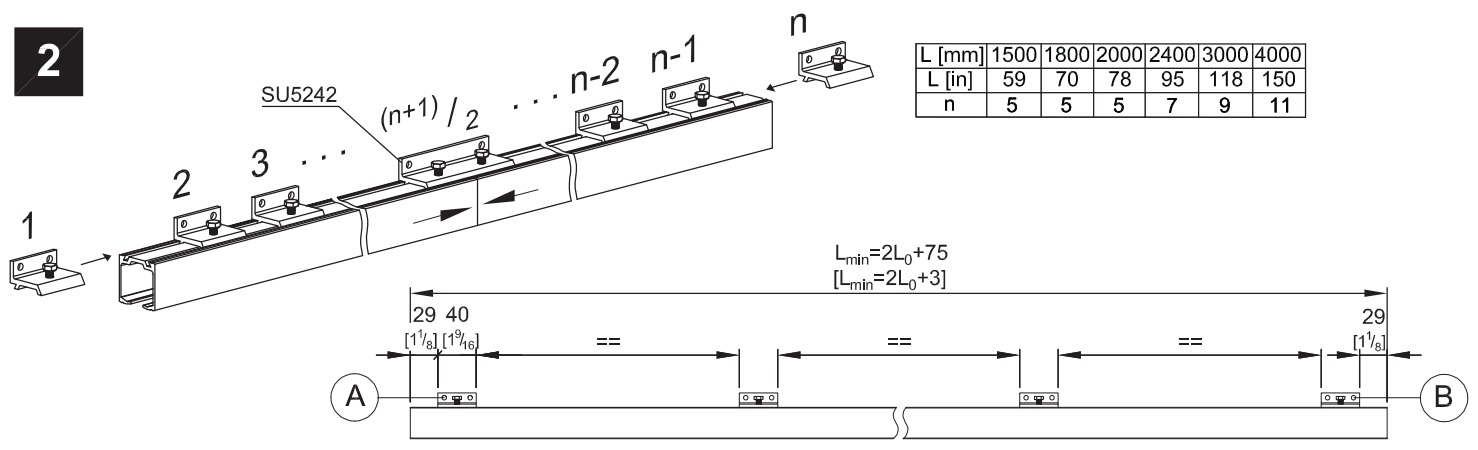
60KG  
130lb



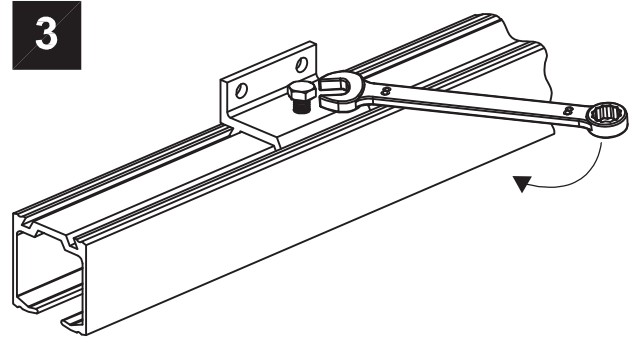
1



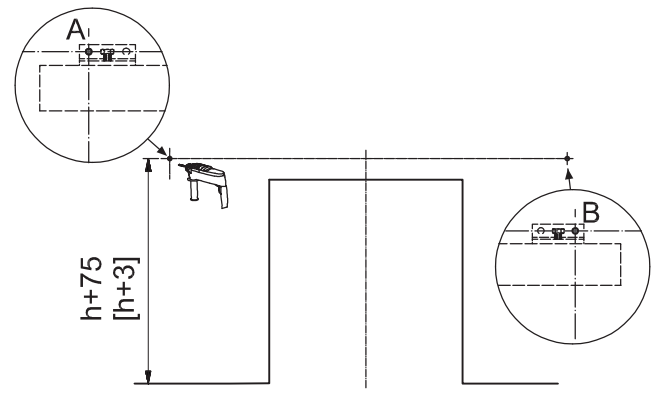
**2**



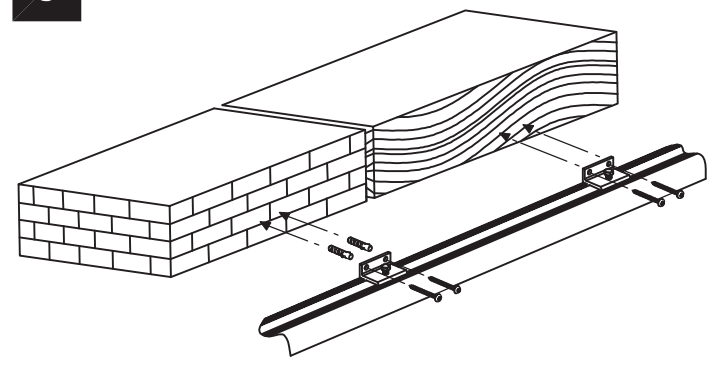
**3**



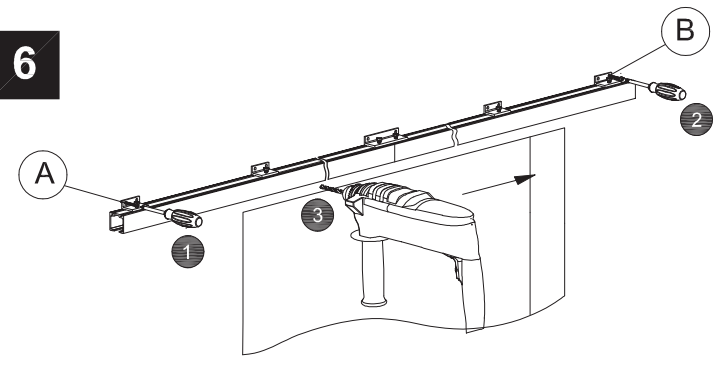
**4**



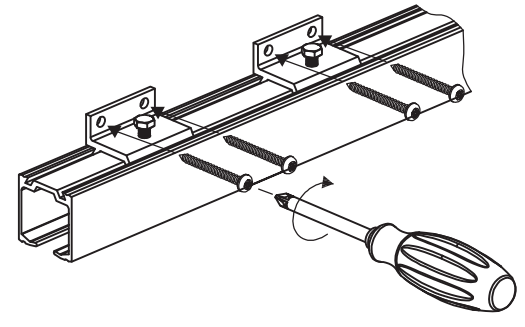
**5**



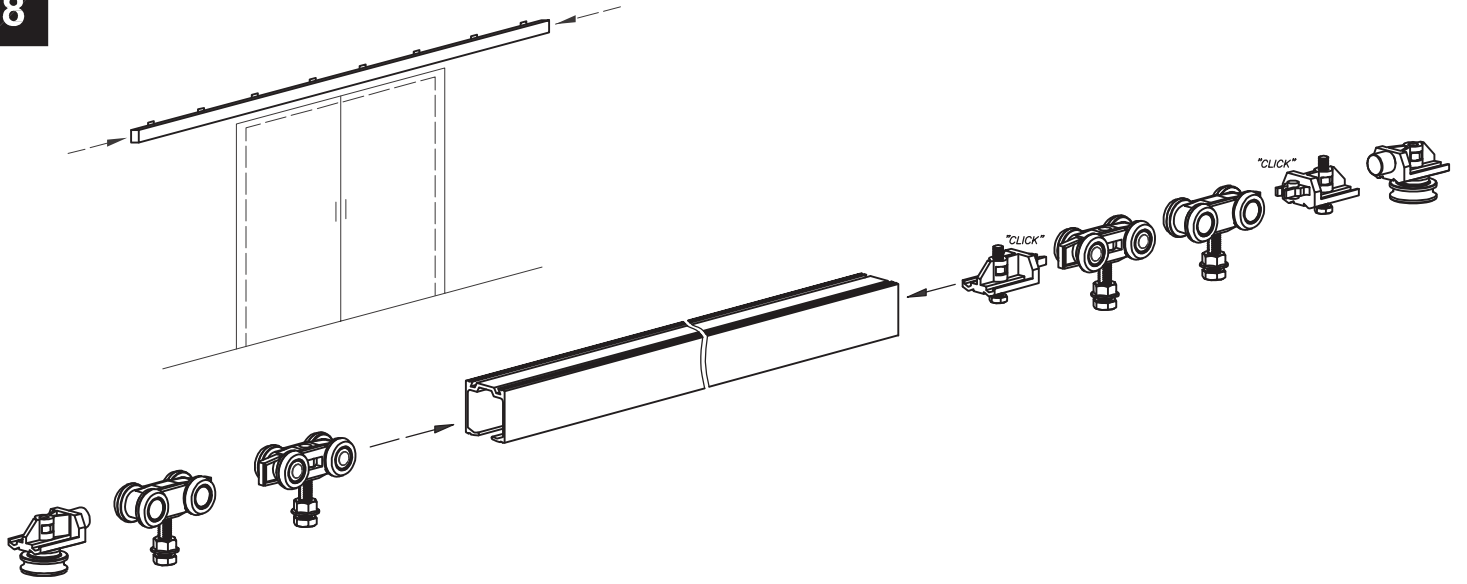
**6**



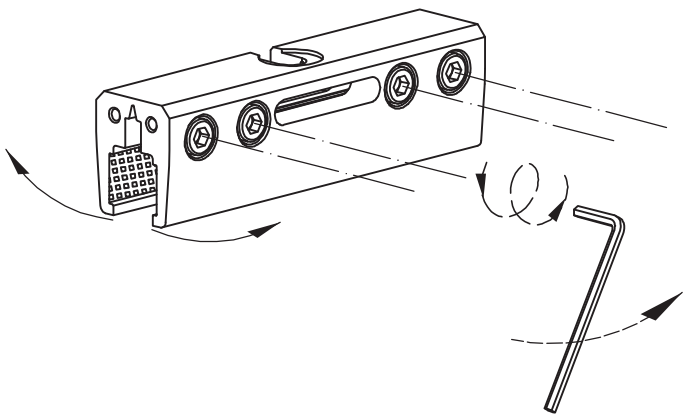
**7**



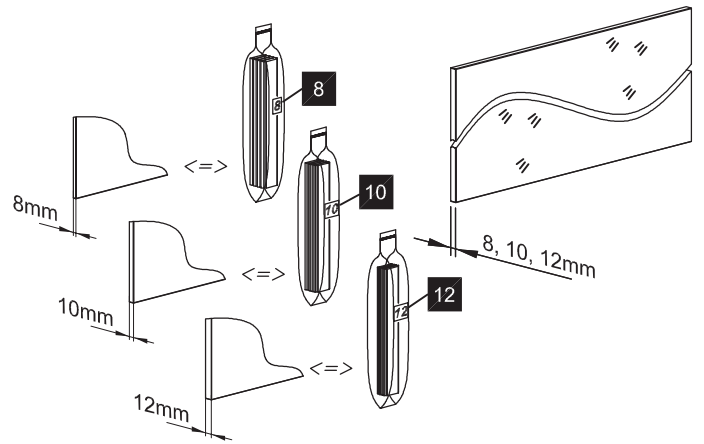
8



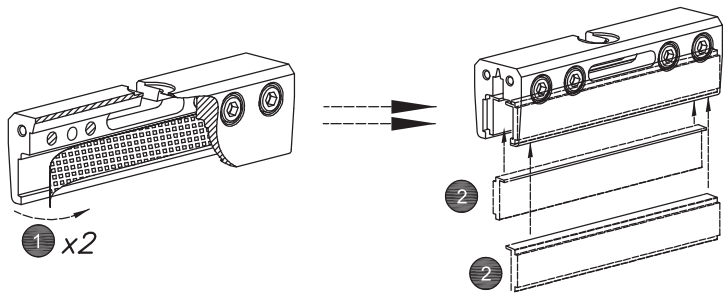
9



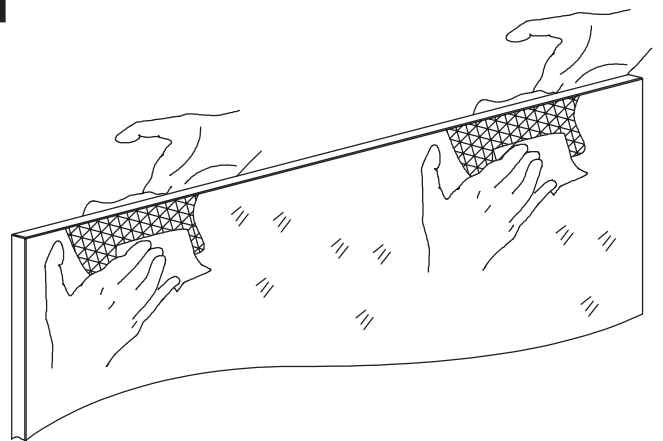
10



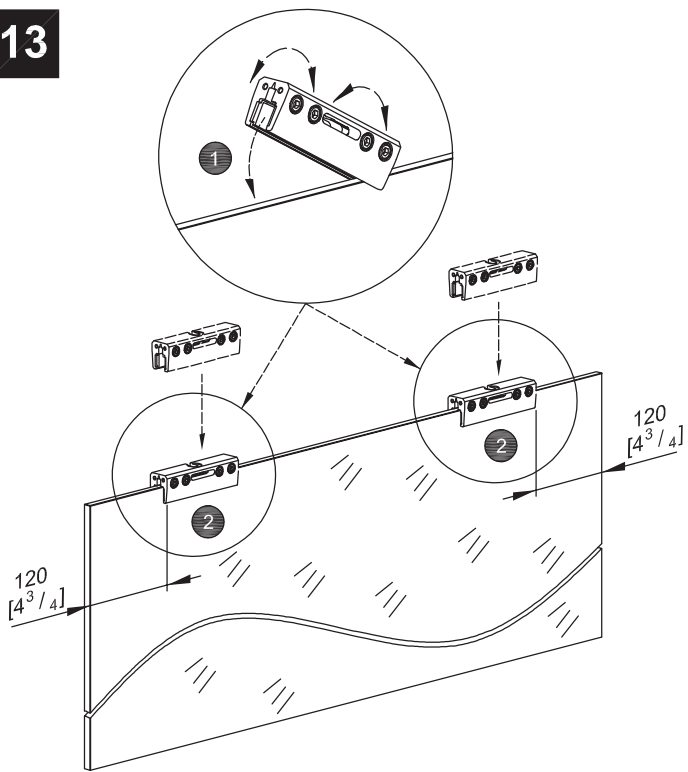
11



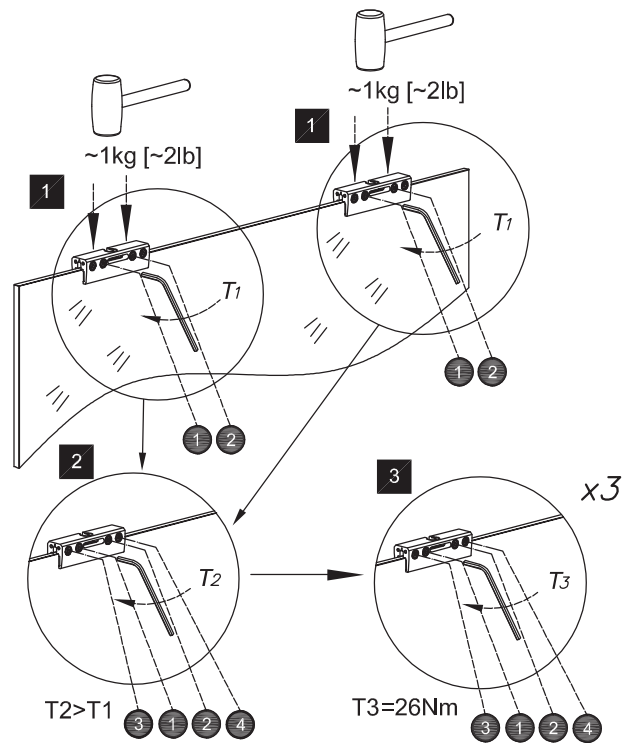
12



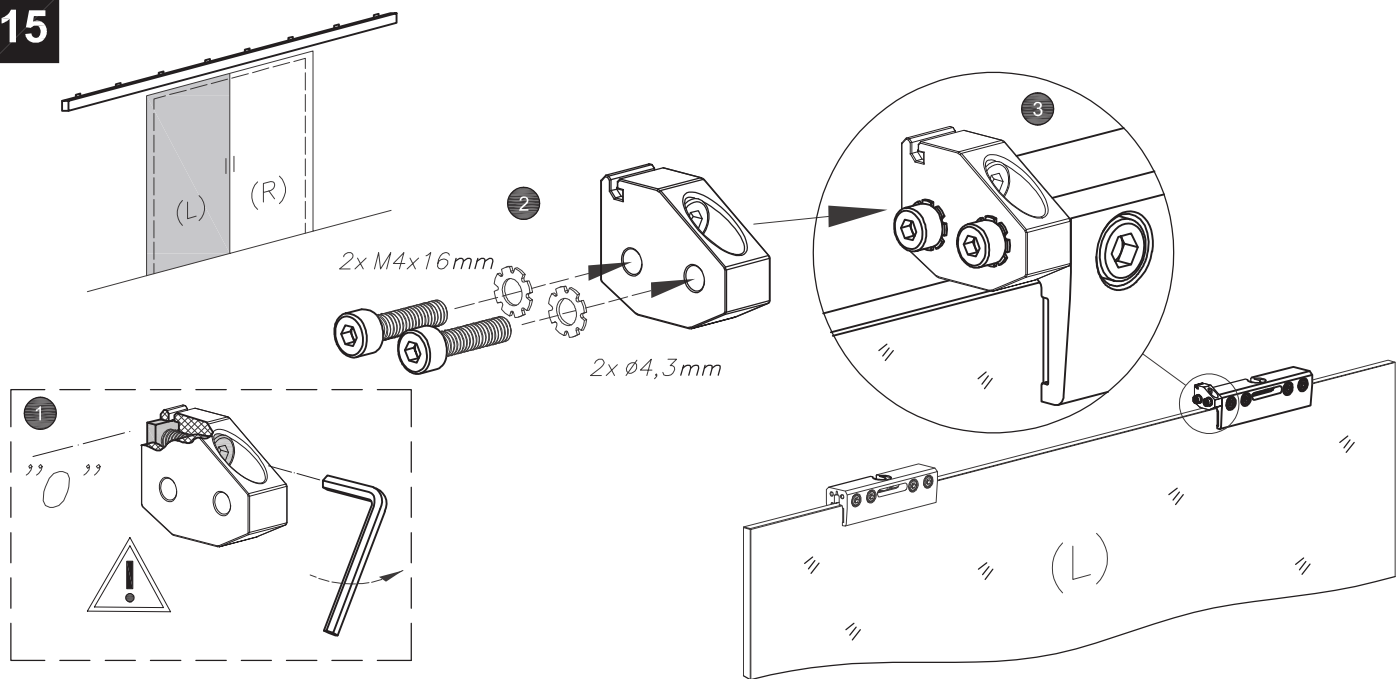
13



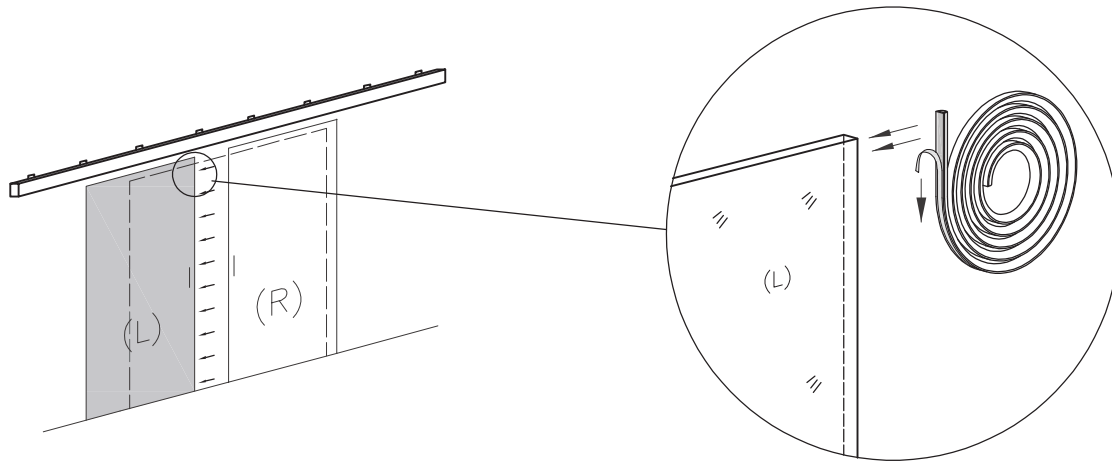
14



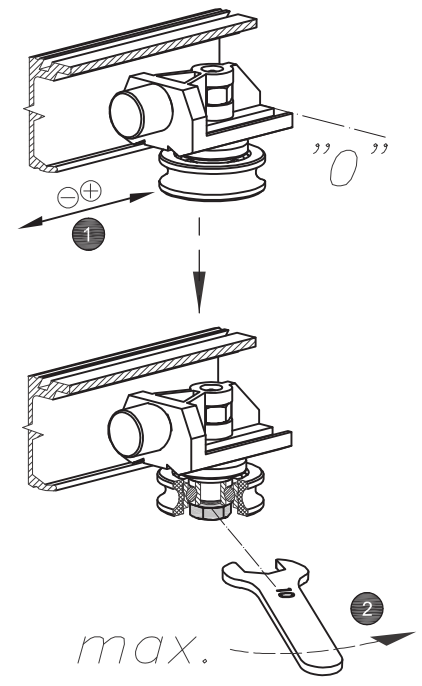
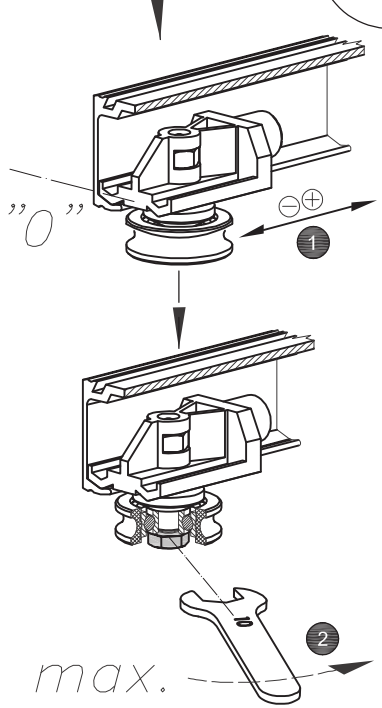
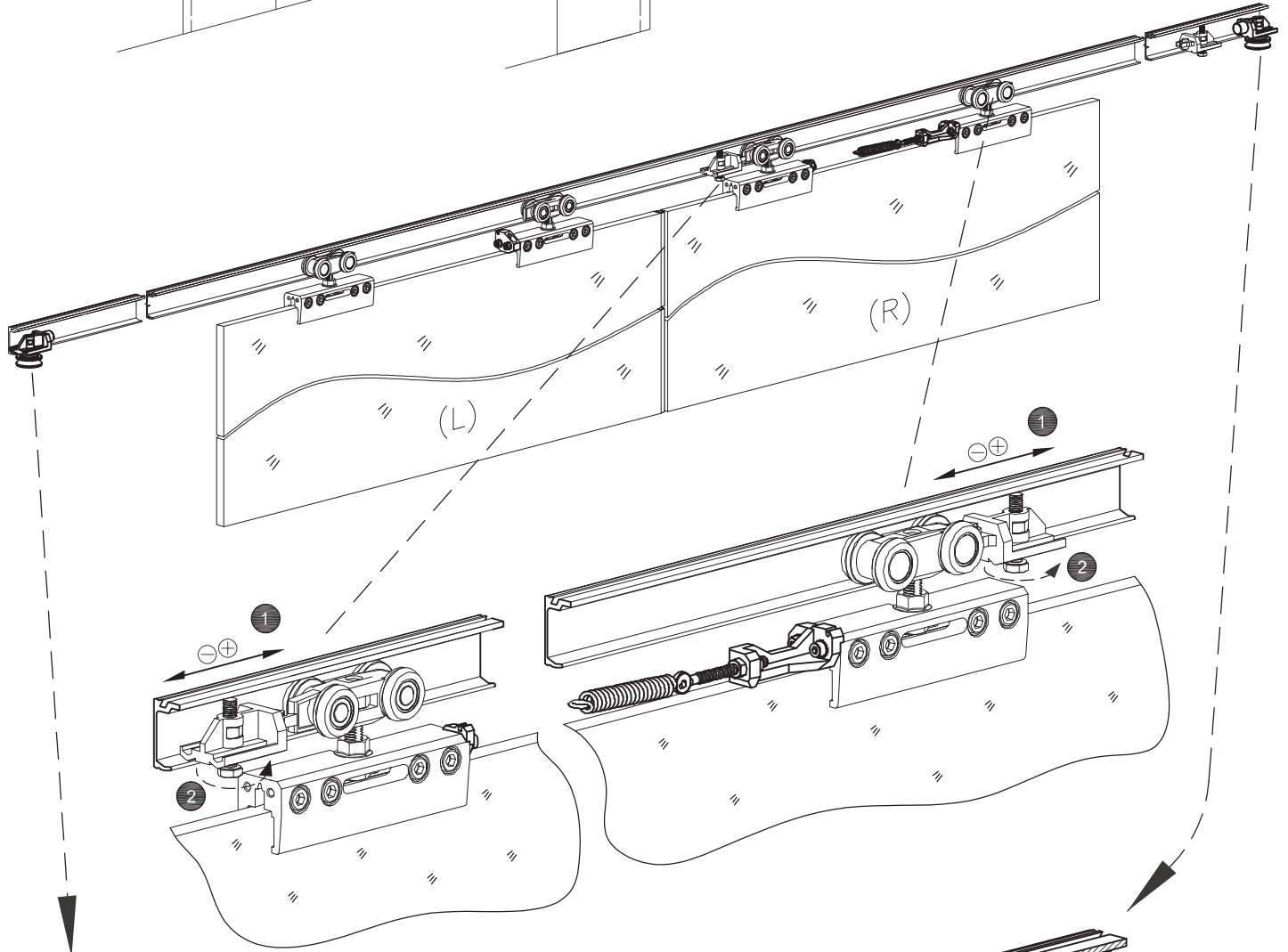
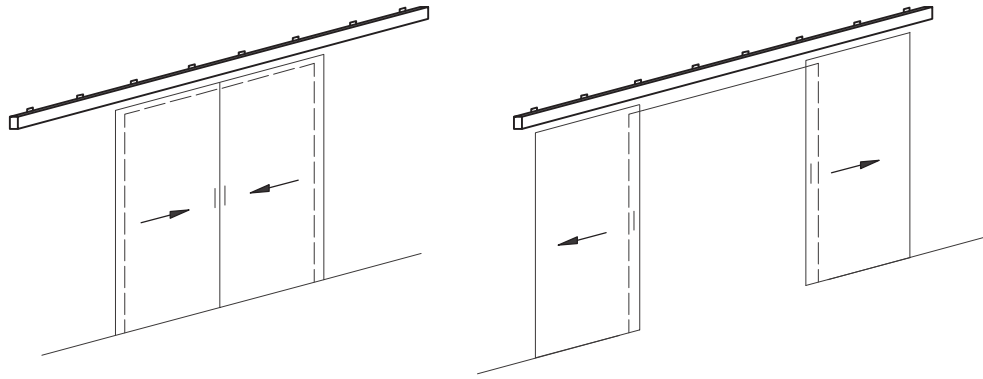
15



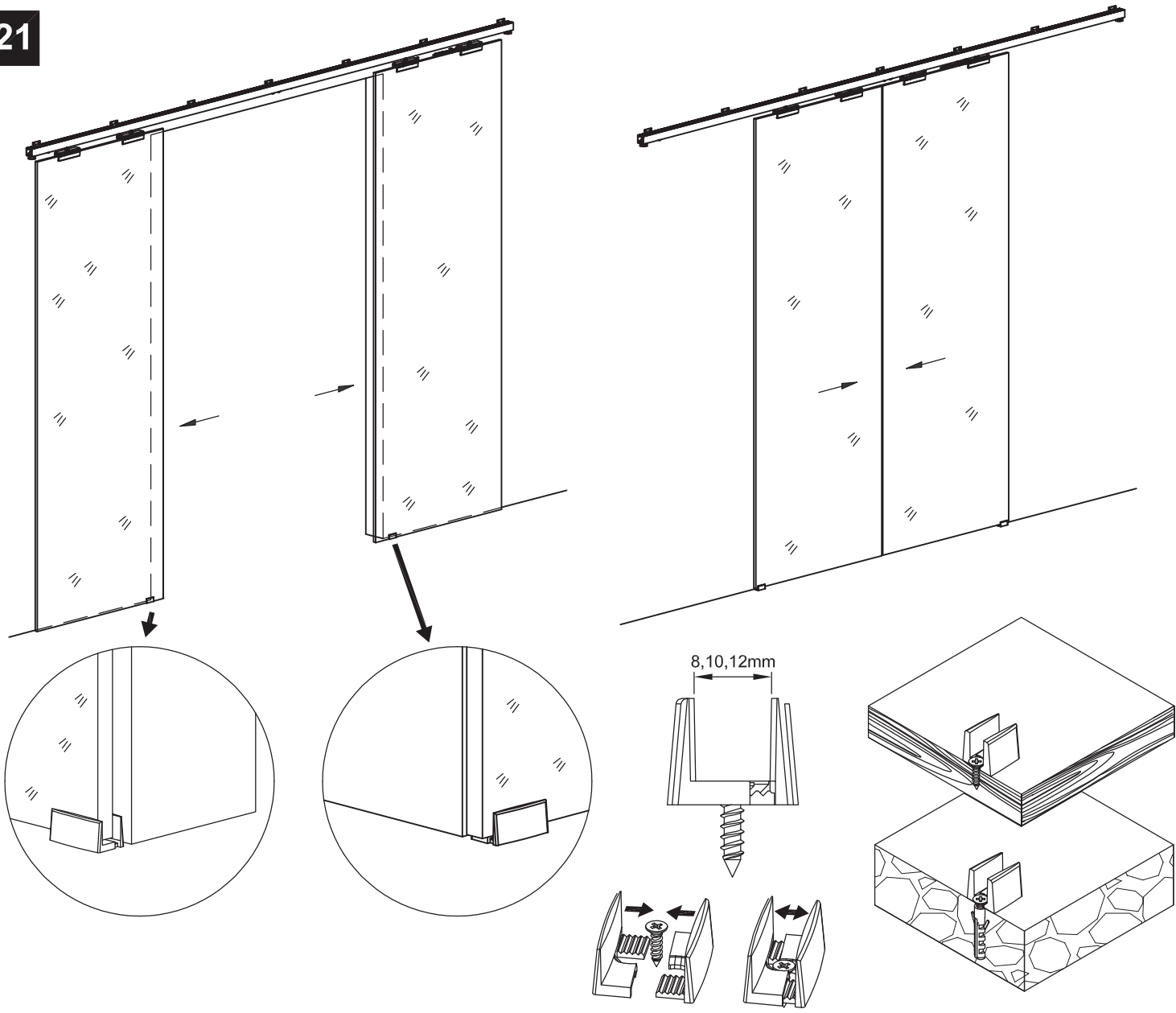
16



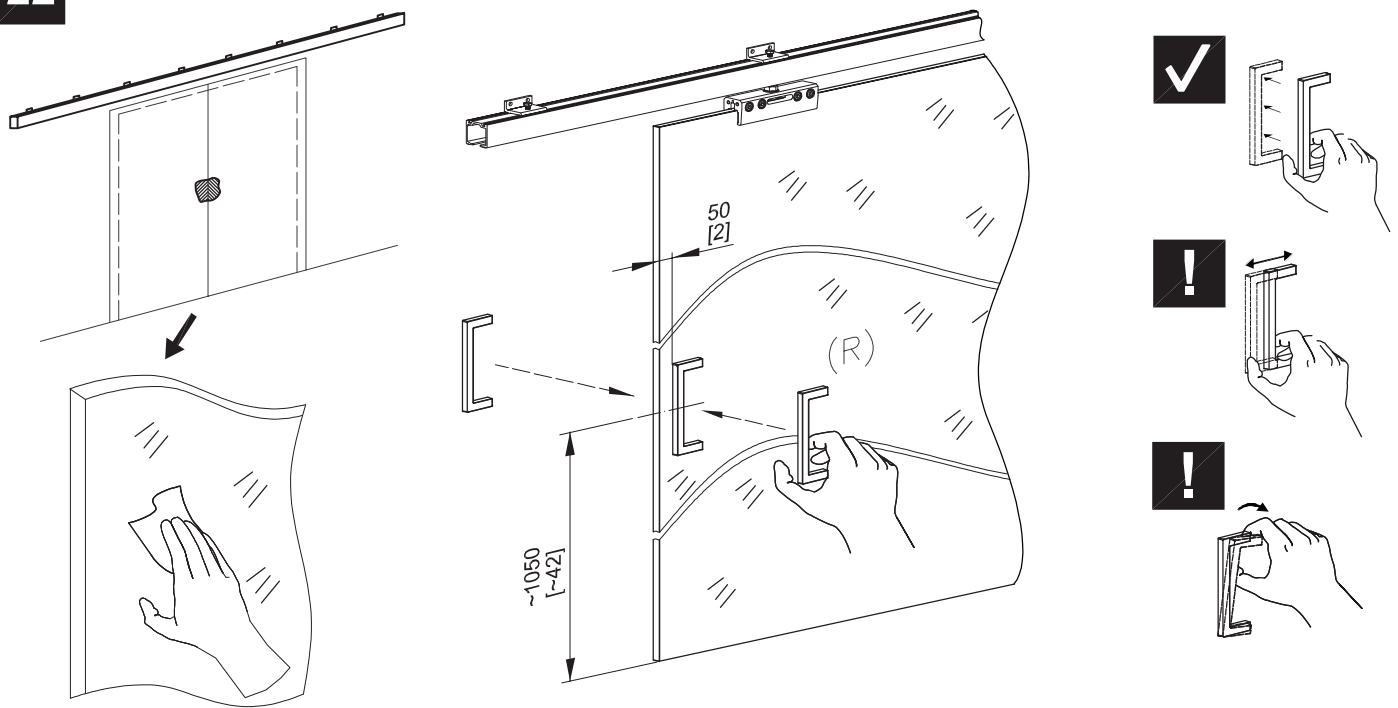


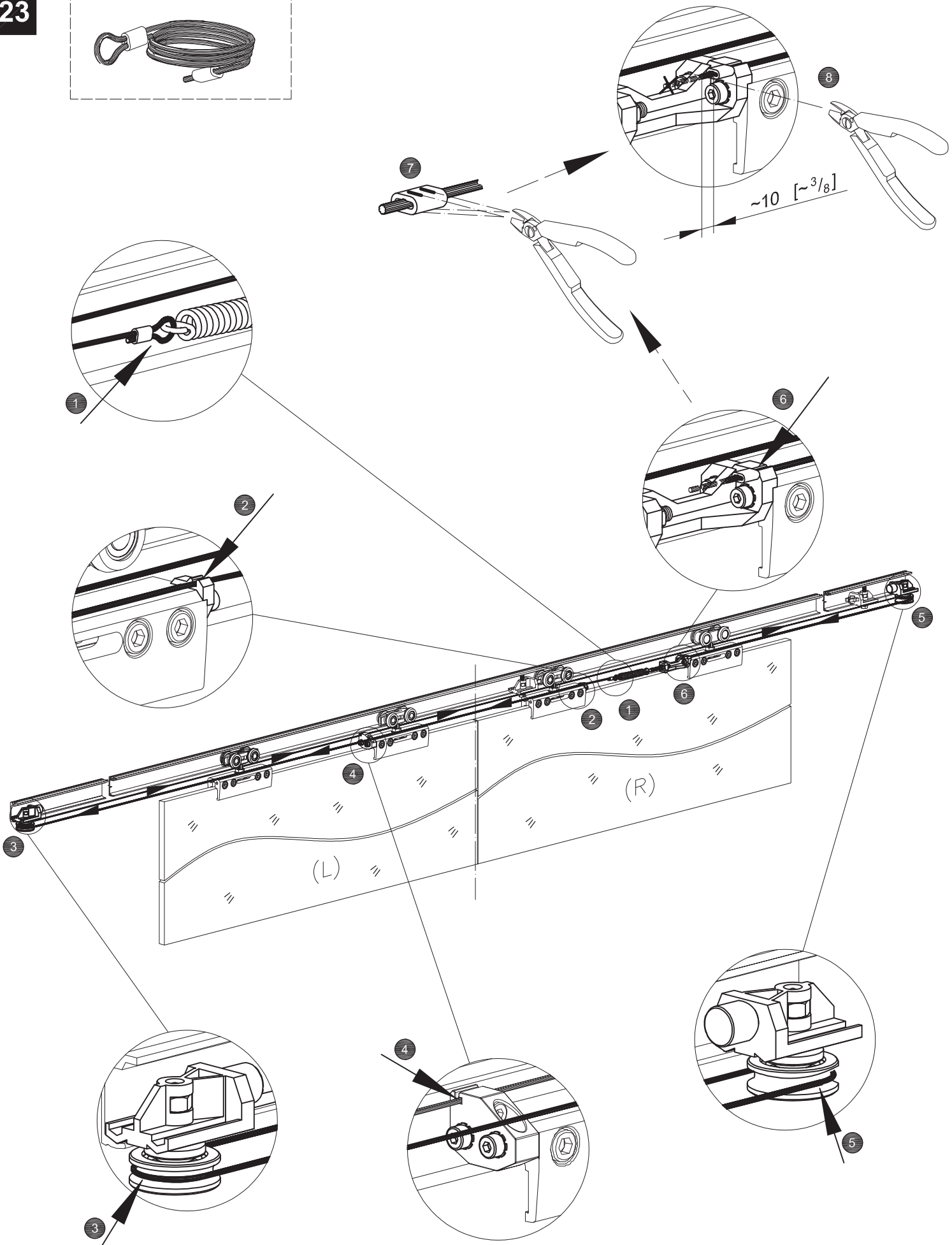
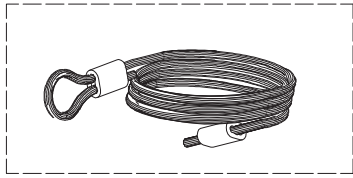


21

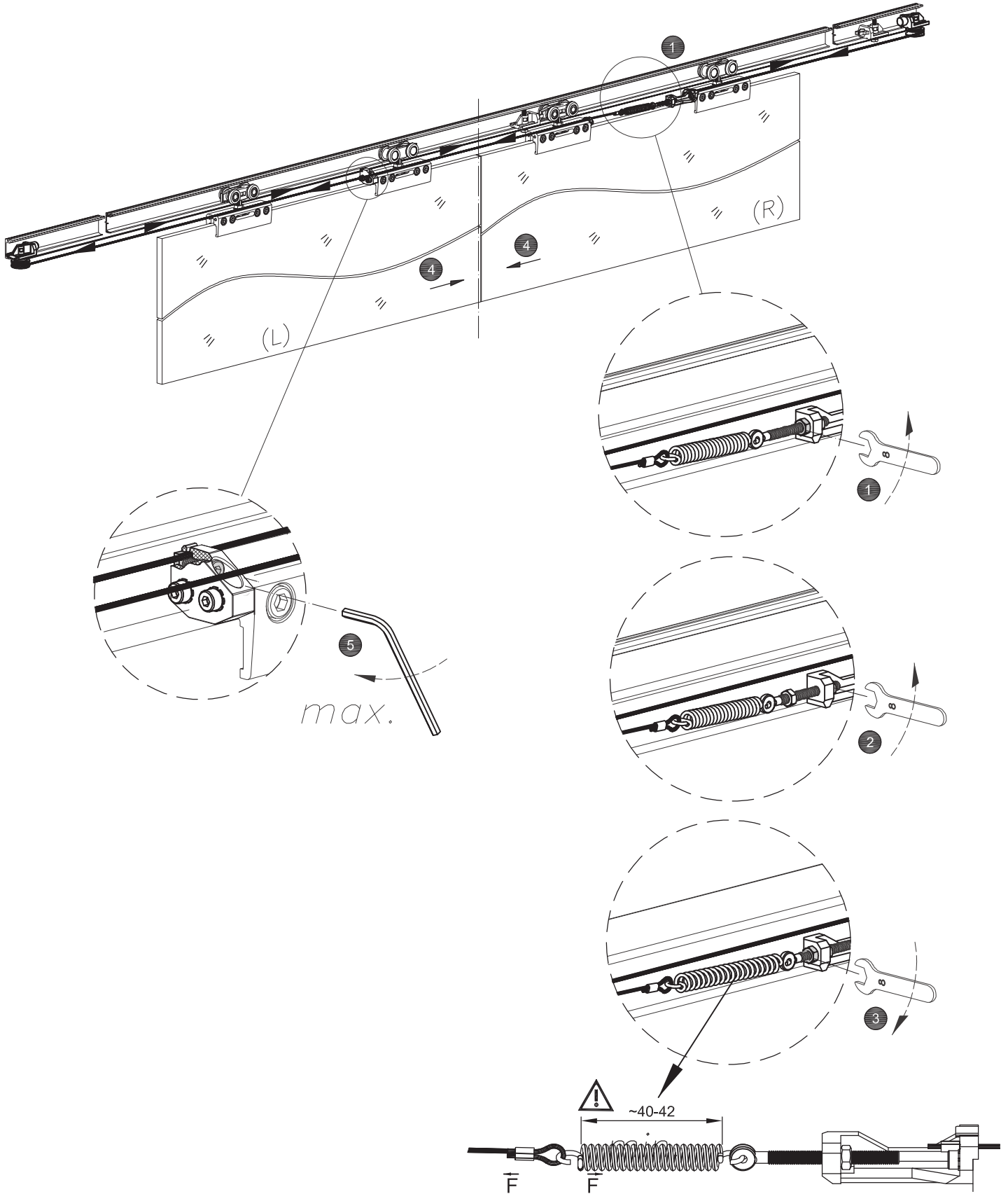
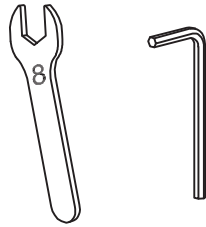
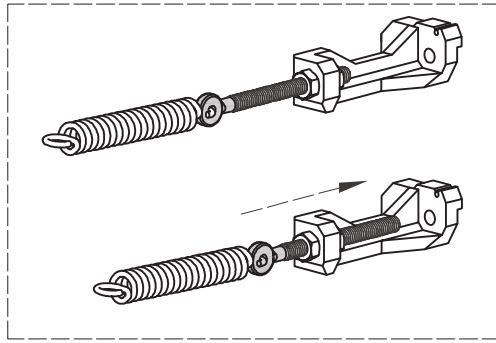


22

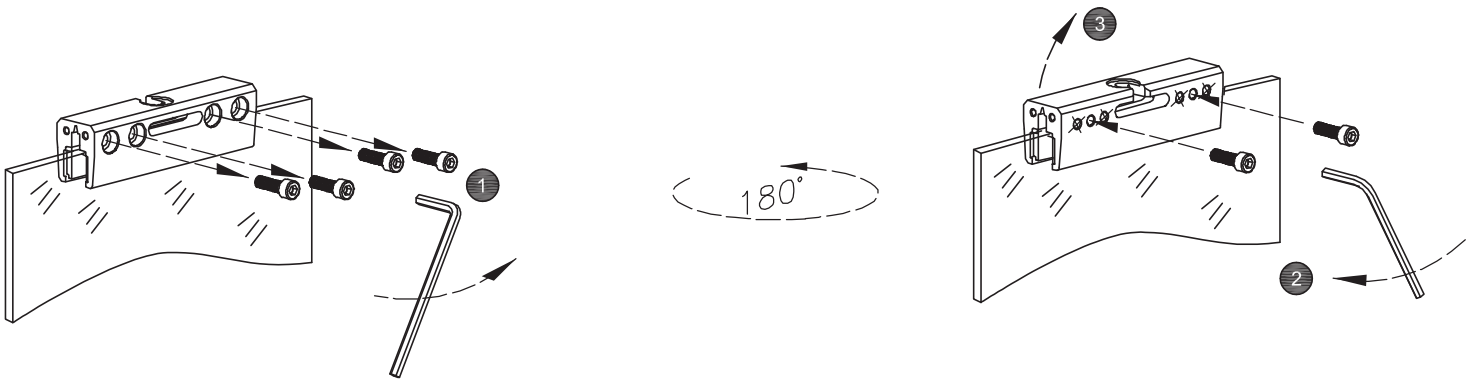










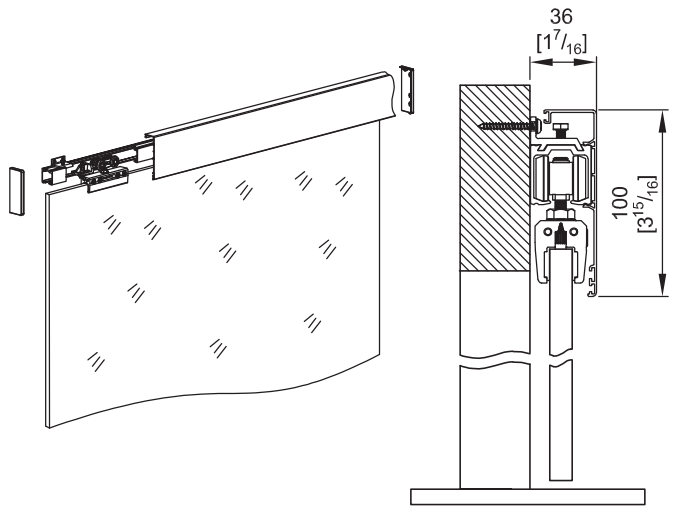
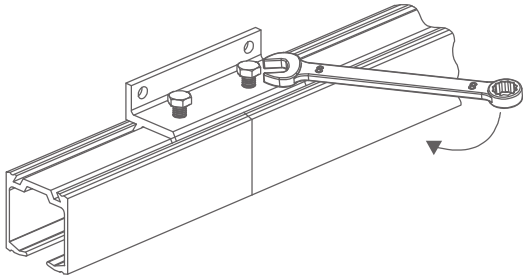
RETRAIT / ENTFERNT / DISASSEMBLY / EXTRACCIÓN / DEMONTAJE



OPTIONS / OPTIONEN / OPTIONS / OPCIONES / OPCJE

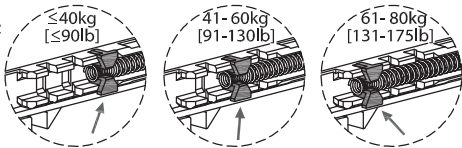
**a** SU5242 

**b** SU5145 (2,01m) [79<sup>1</sup>/<sub>8</sub>]  
 SU5146 (3,01m) [118<sup>1</sup>/<sub>2</sub>]  
 SU5210   
 SU5211 



**e** SU5234  

$m = m_1 + m_2$



$L_{min} = L_o + 38$   
 $[L_{min} = L_o + 1\frac{1}{2}]$

$L_{min} = L_o + 97$   
 $[L_{min} = L_o + 3\frac{3}{16}]$

$m_1 = \text{max. } 40\text{kg}$   
 $[\text{max. } 90\text{lb}]$

$m_1 = \text{max. } 40\text{kg}$   
 $[\text{max. } 90\text{lb}]$

$d_{min} = 800$   
 $[d_{min} = 31]$

$d_{min} = 800$   
 $[d_{min} = 31]$

$L_{min} = L_o + 38$   $L_{min} = L_o + 97$

