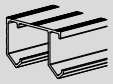


SLID'UP
by MANTION

INSTRUCTION DE MONTAGE
MONTAGEANLEITUNG
INSTRUCTIONS FOR ASSEMBLY
INSTRUCCIONES DE MONTAJE
INSTRUKCJA MONTAŻU

SLID'UP 110

SU5106
SU5107
SU5108



x1



x2



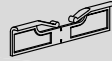
x2



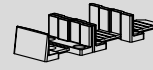
x2



x2



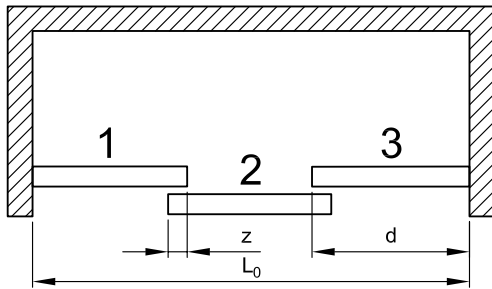
x1



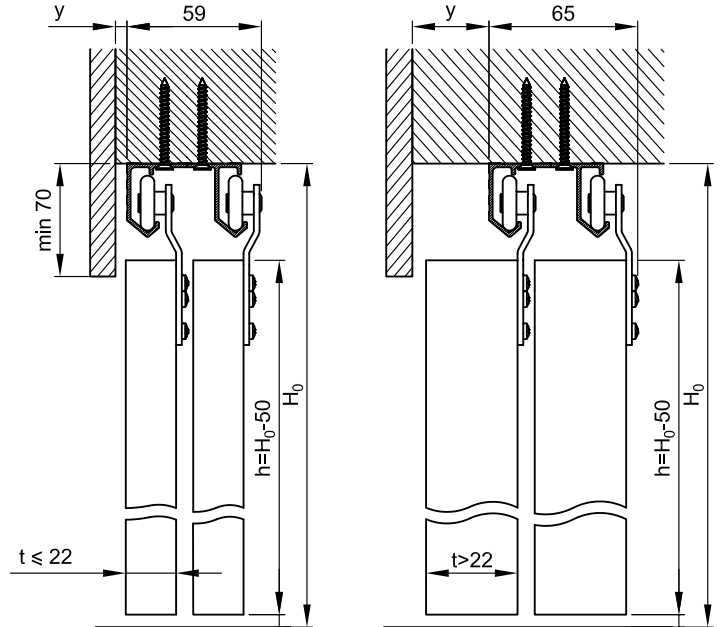
x2



45
KG



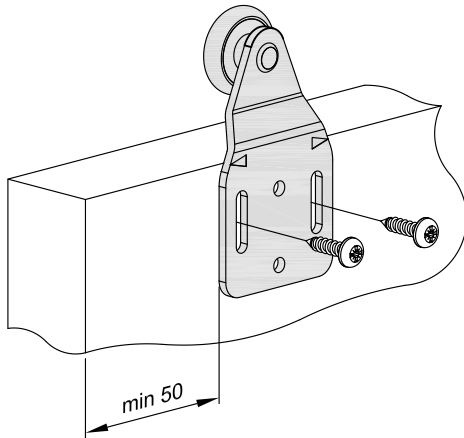
$$d = (L_0 + 2z) / 3$$



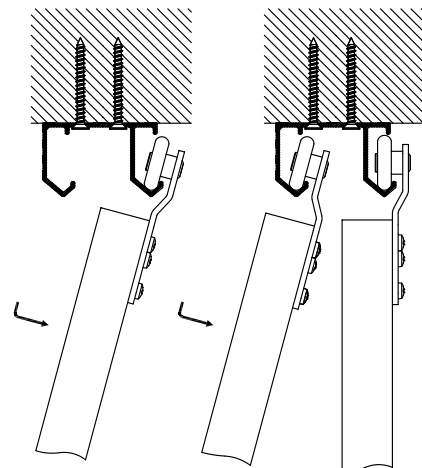
t [mm]	16;18	19	22	
y [mm]	0	1	4	4 - 11

t [mm]	>22	
y [mm]	t-9	4 - 11

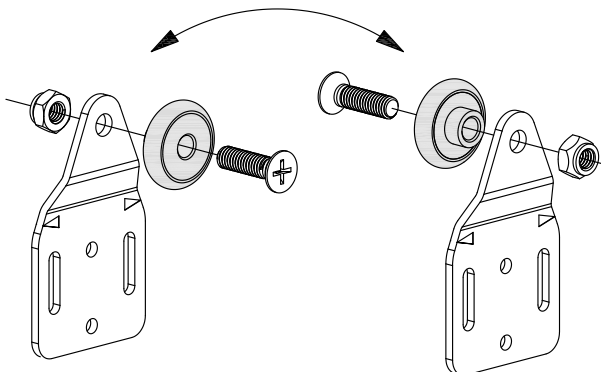
1



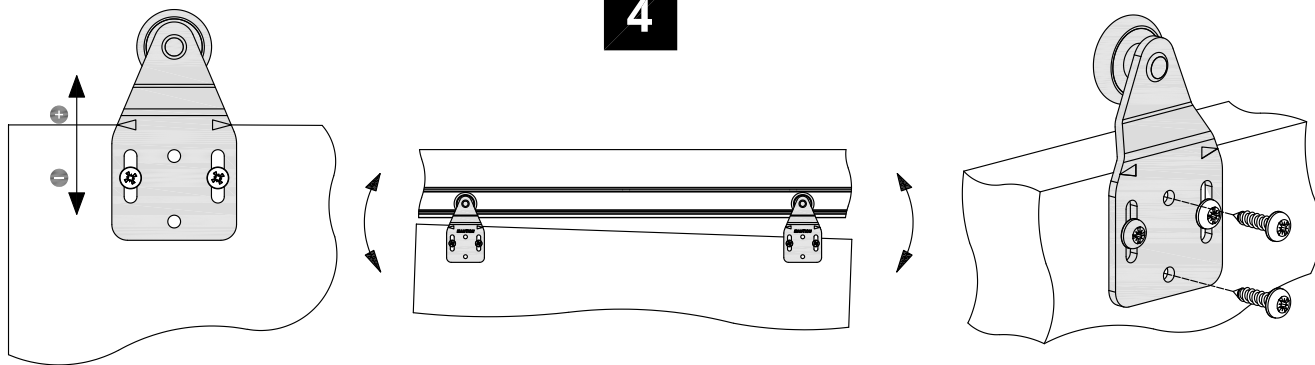
2



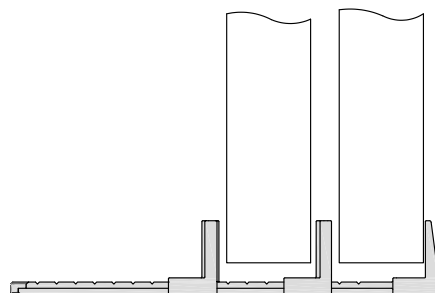
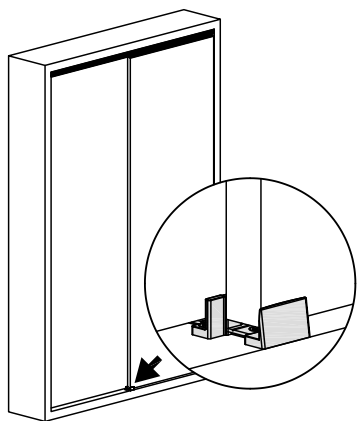
3



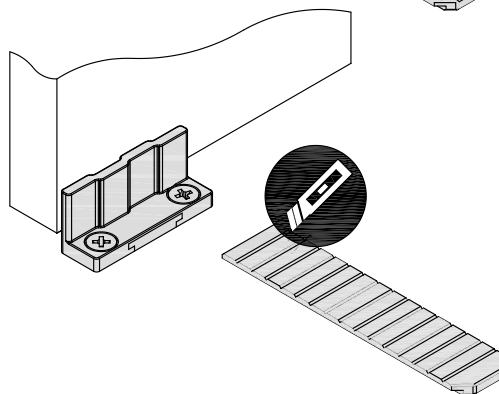
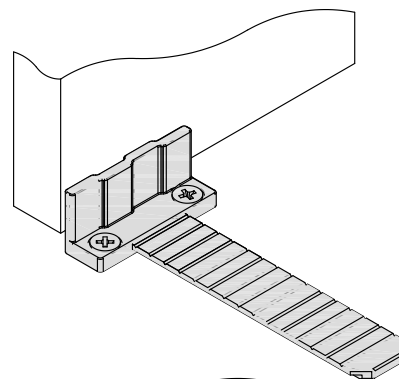
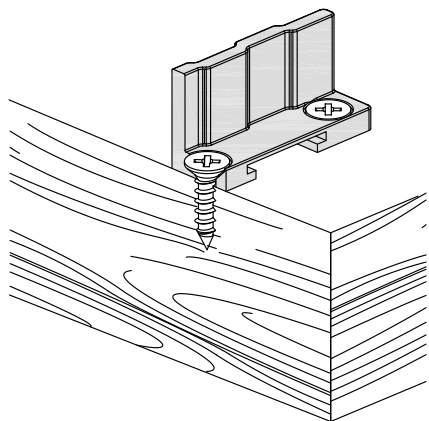
4



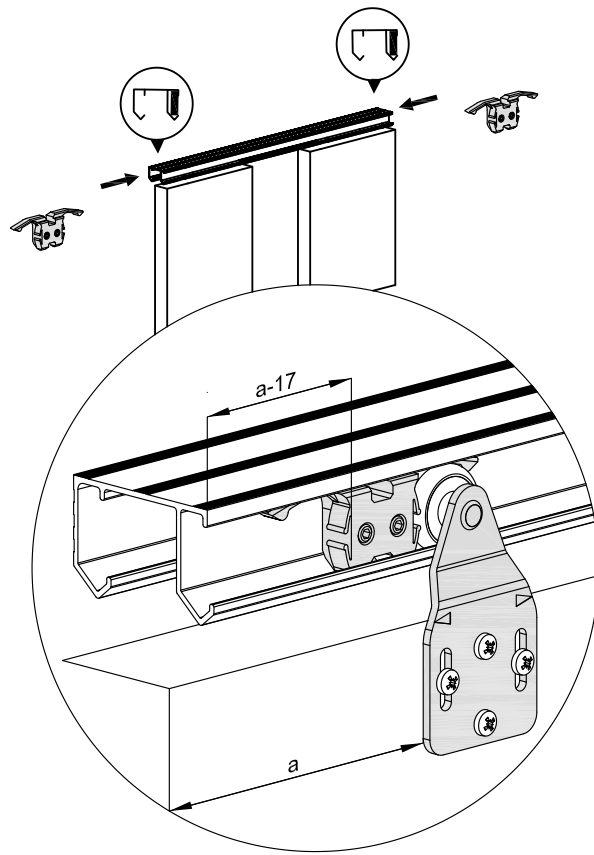
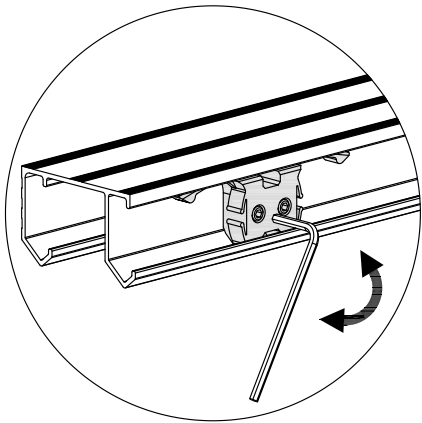
5



6



7



8

