

**SLID'UP**  
by MANTION

INSTRUCTION DE MONTAGE  
MONTAGEANLEITUNG  
INSTRUCTIONS FOR ASSEMBLY  
INSTRUCCIONES DE MONTAJE  
INSTRUKCJA MONTAŻU

**SLID'UP 120**

SU5109  
SU5110  
SU5111  
SU5112  
SU5113



x1



x2



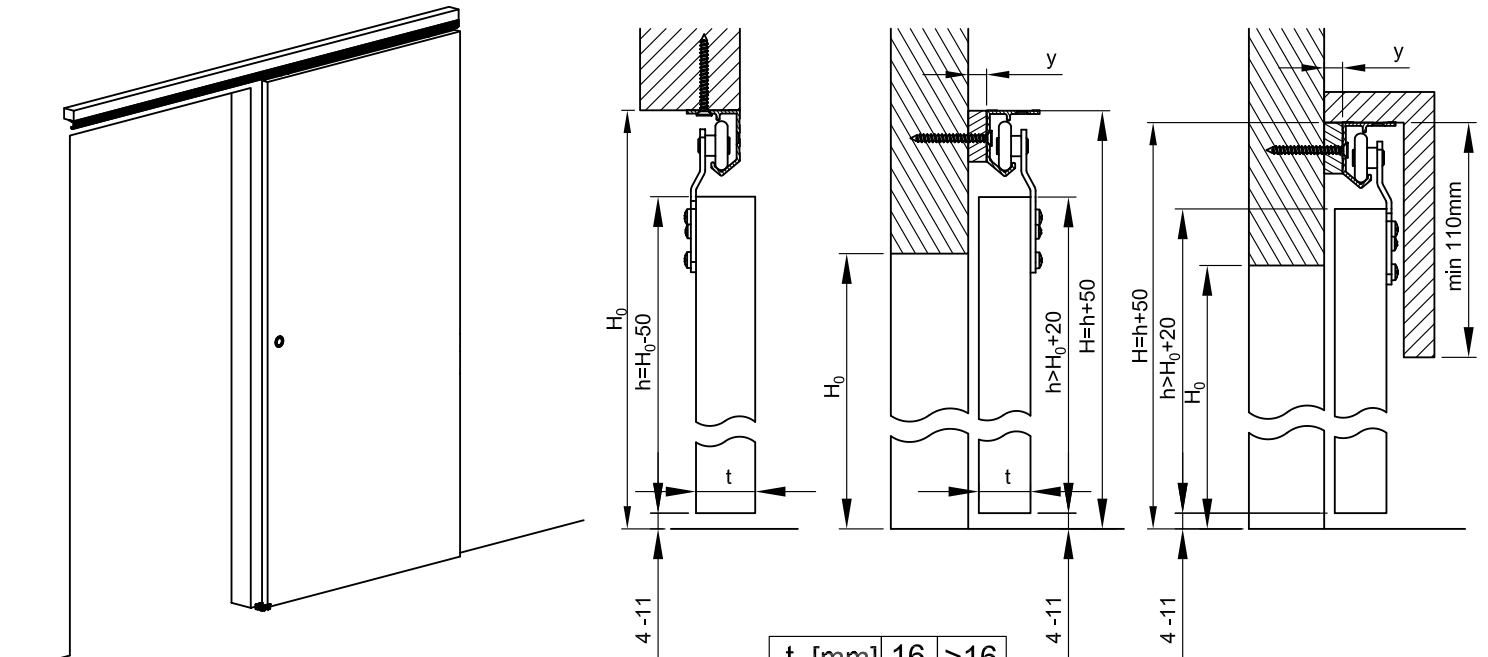
x2



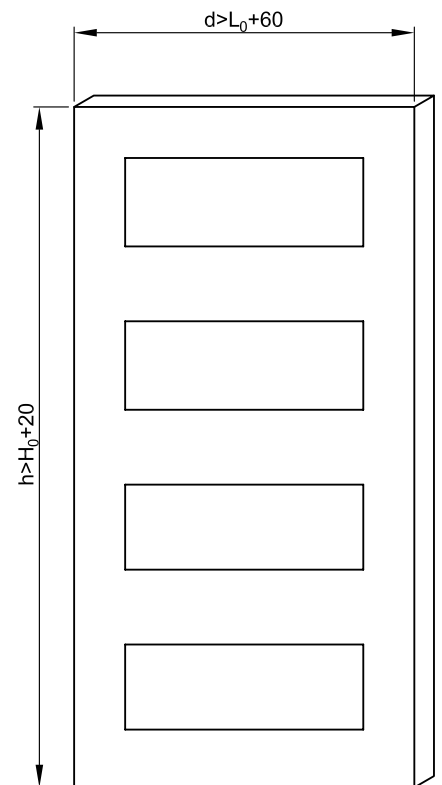
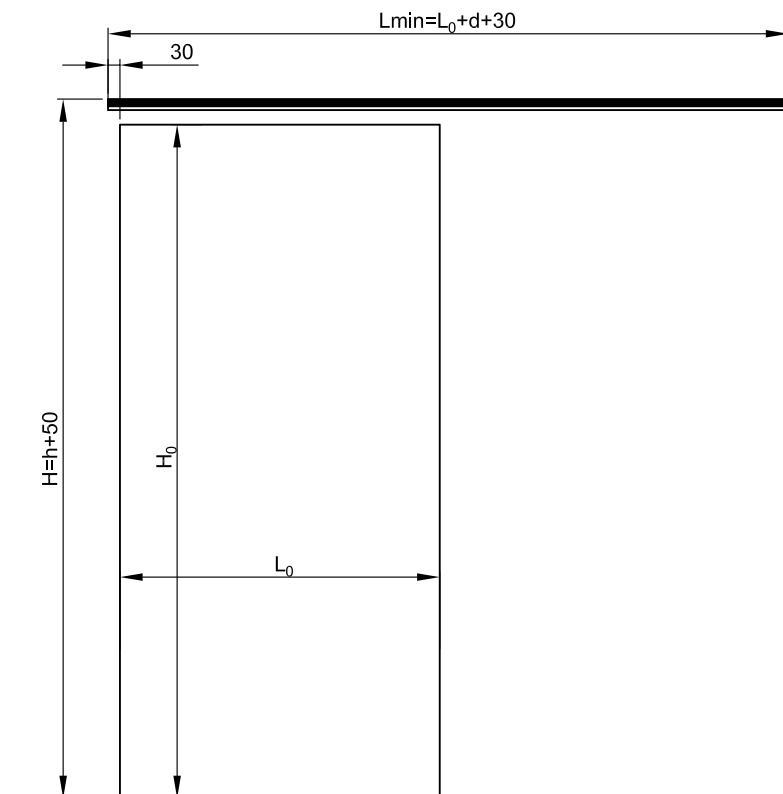
x1

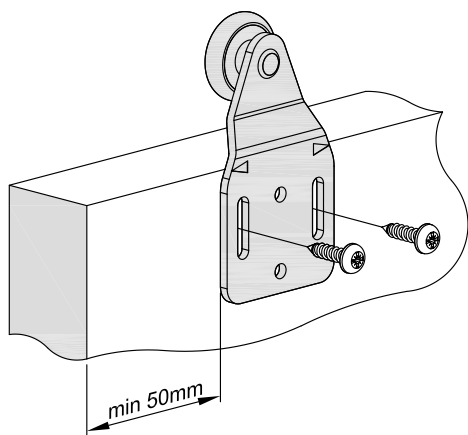


45  
KG

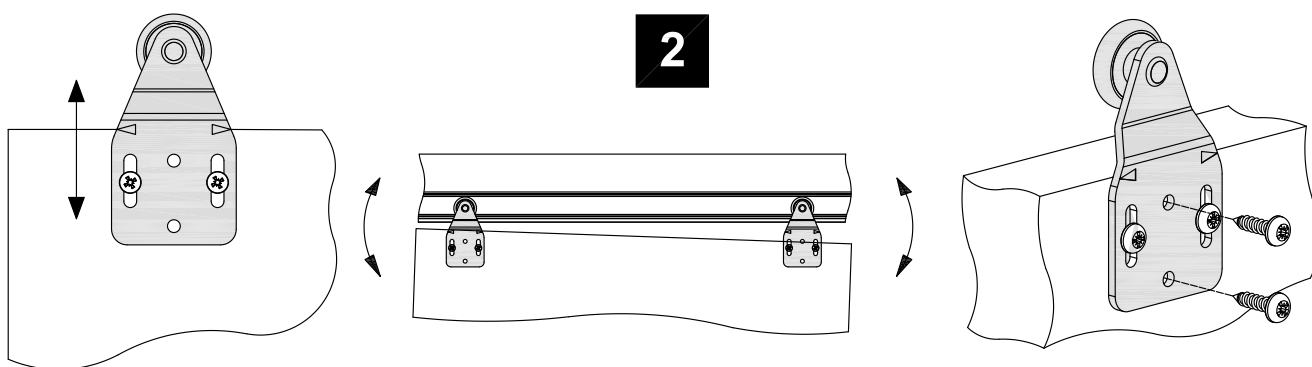
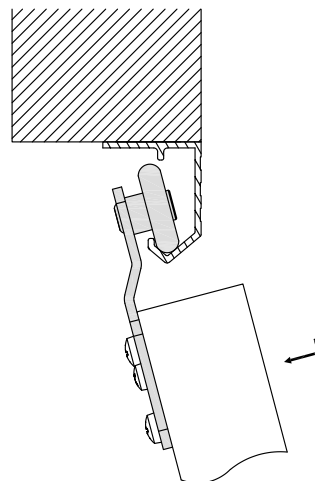


t [mm]	16	>16
y [mm]	0	t-16



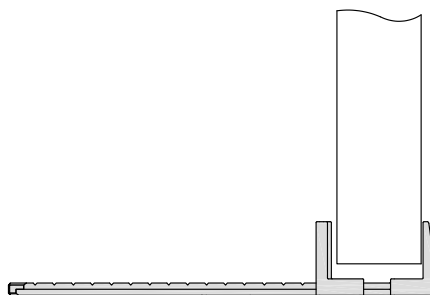
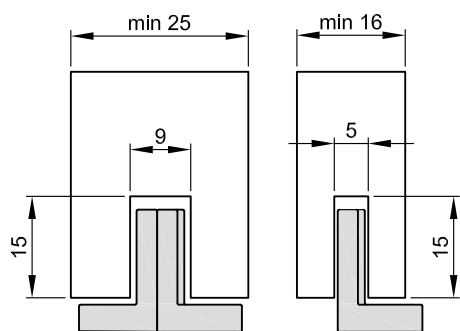
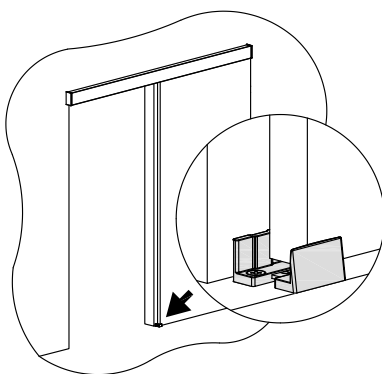


**1**

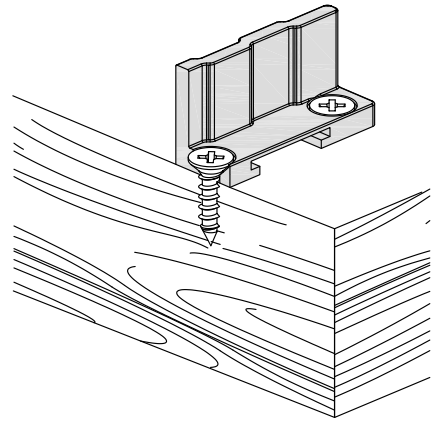
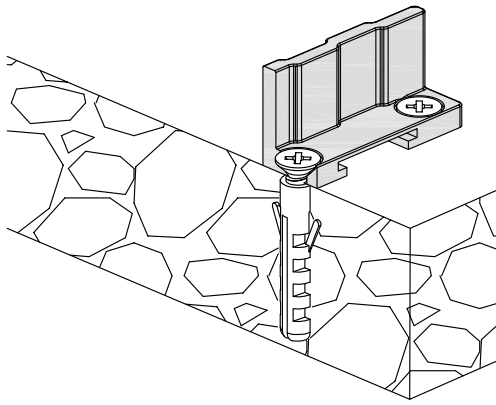


**2**

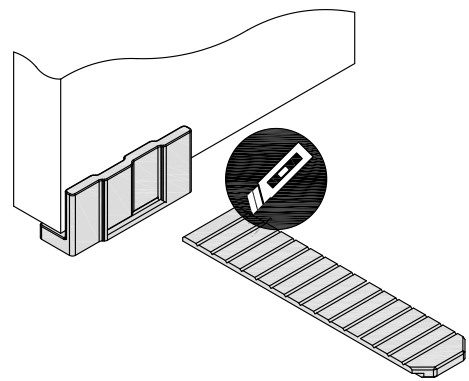
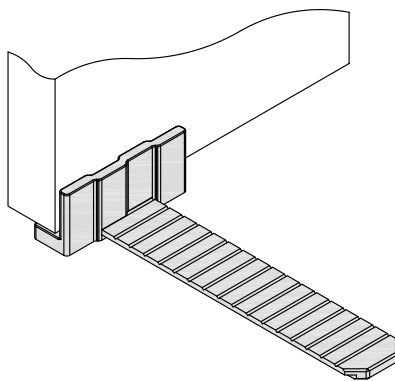
**3**



4



5



6

