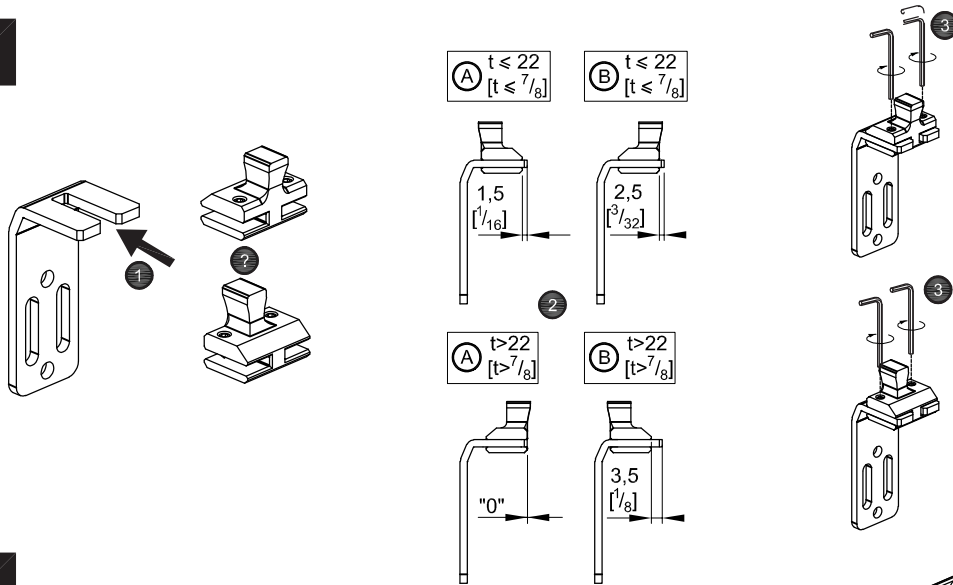


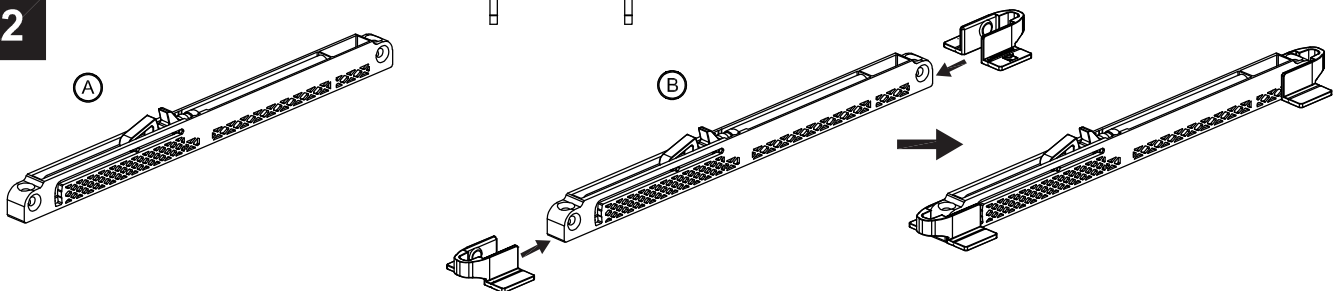
t [mm]	16	18	19	22
y [mm]	0	1	4	
t [in]	5/8	11/16	3/4	7/8
y [in]	0	1/16	3/16	

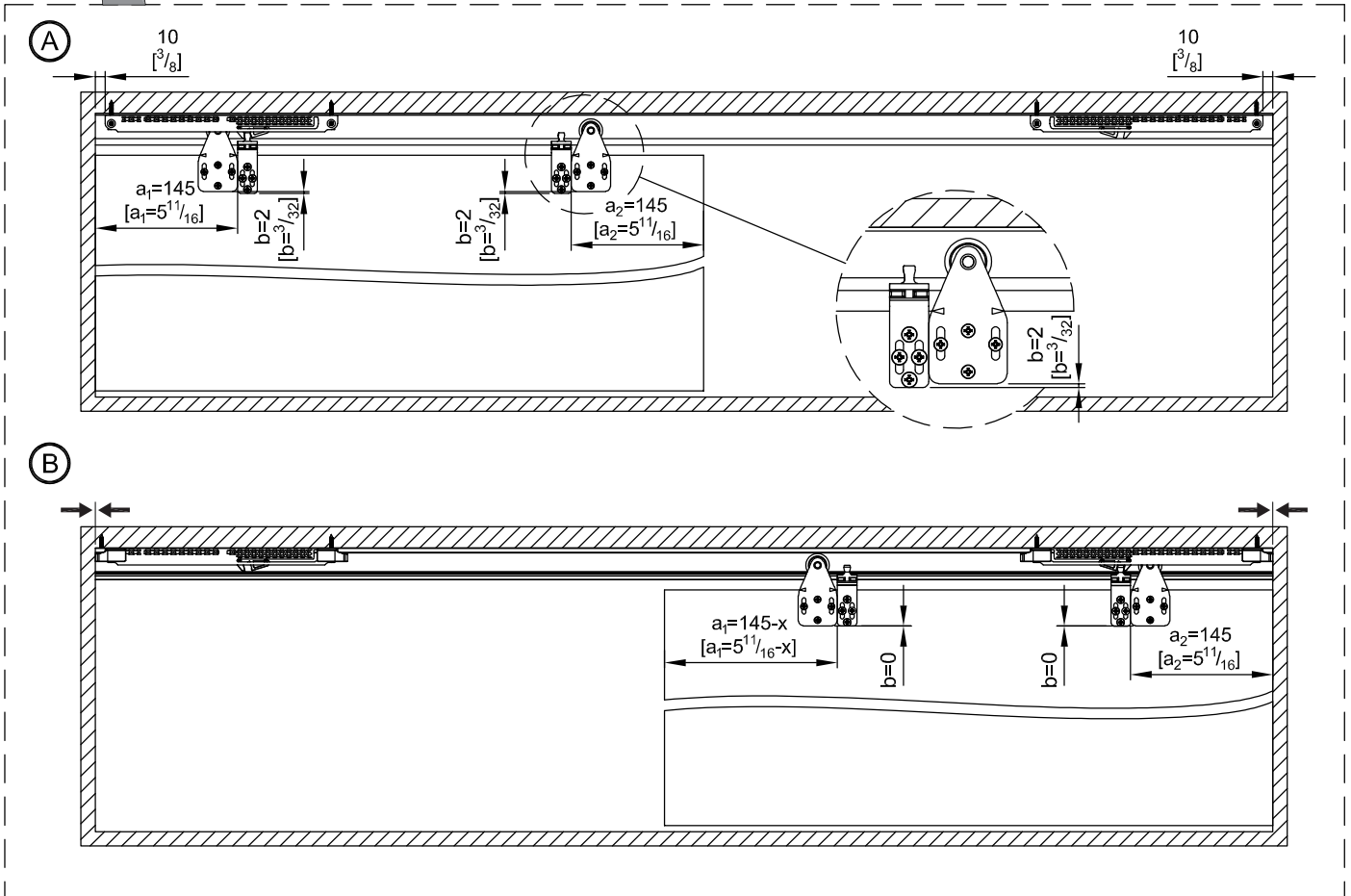
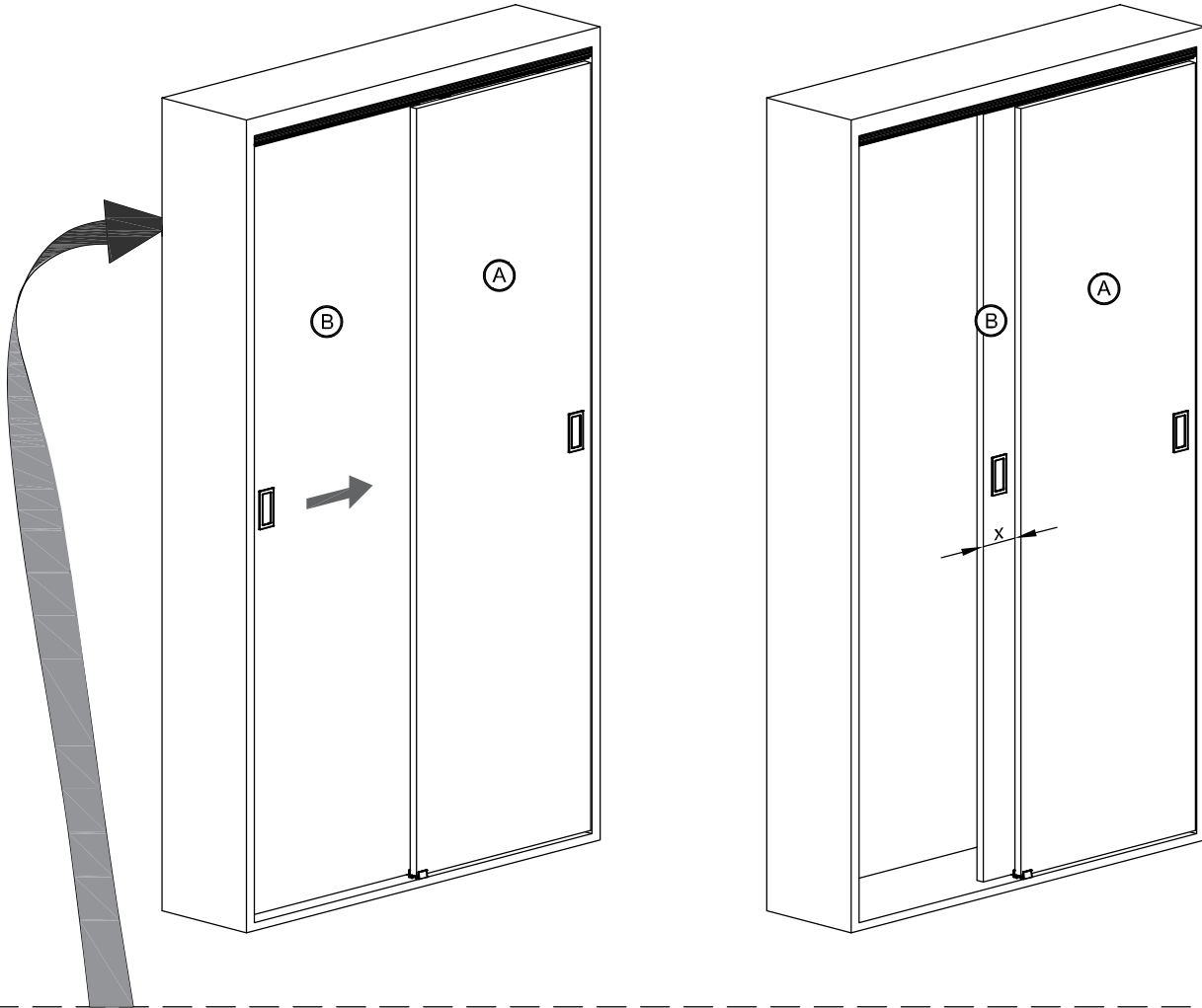
t [mm]	>22
y [mm]	t-9
t [in]	>7/8
y [in]	t-3/8

**1**

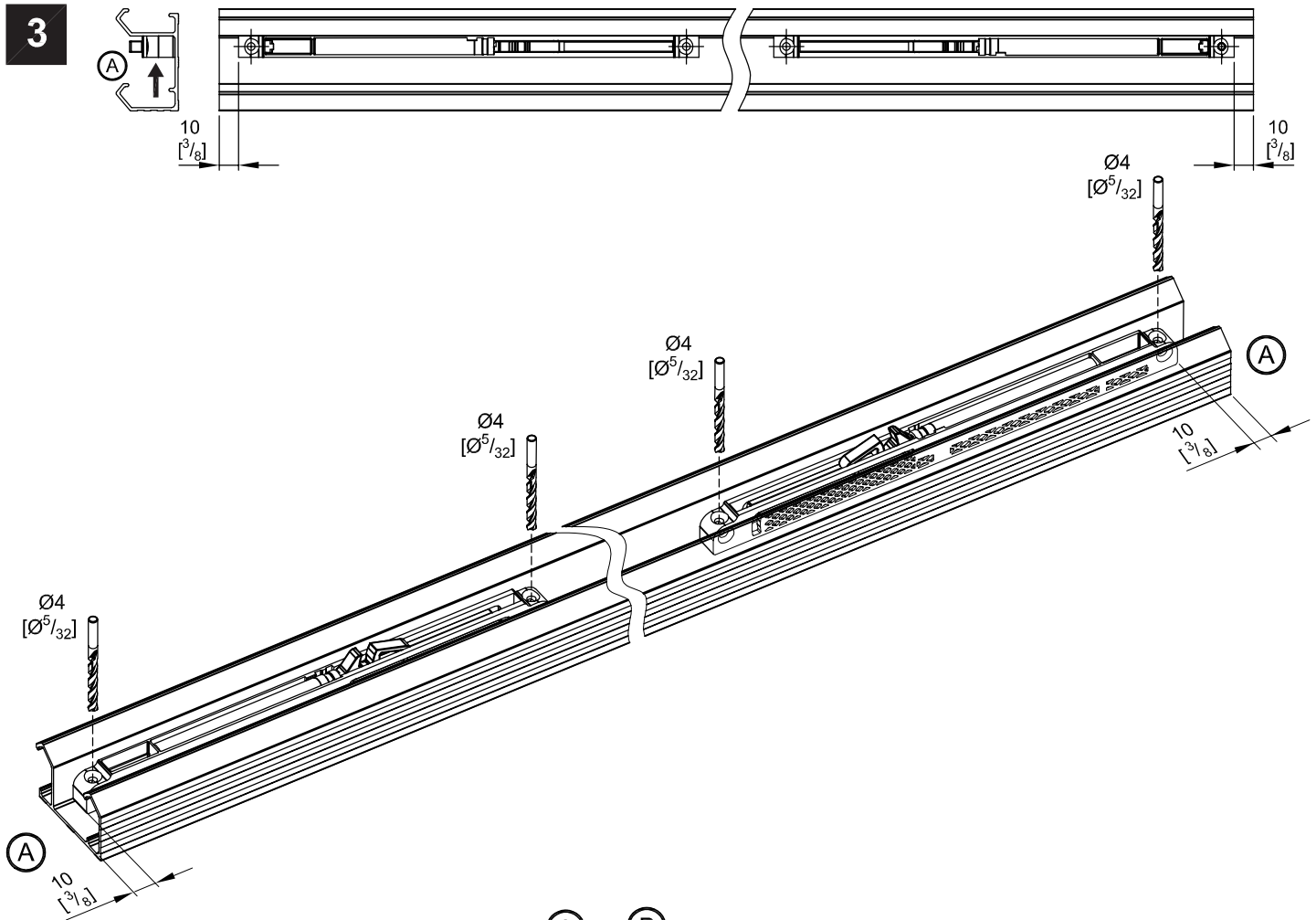


**2**

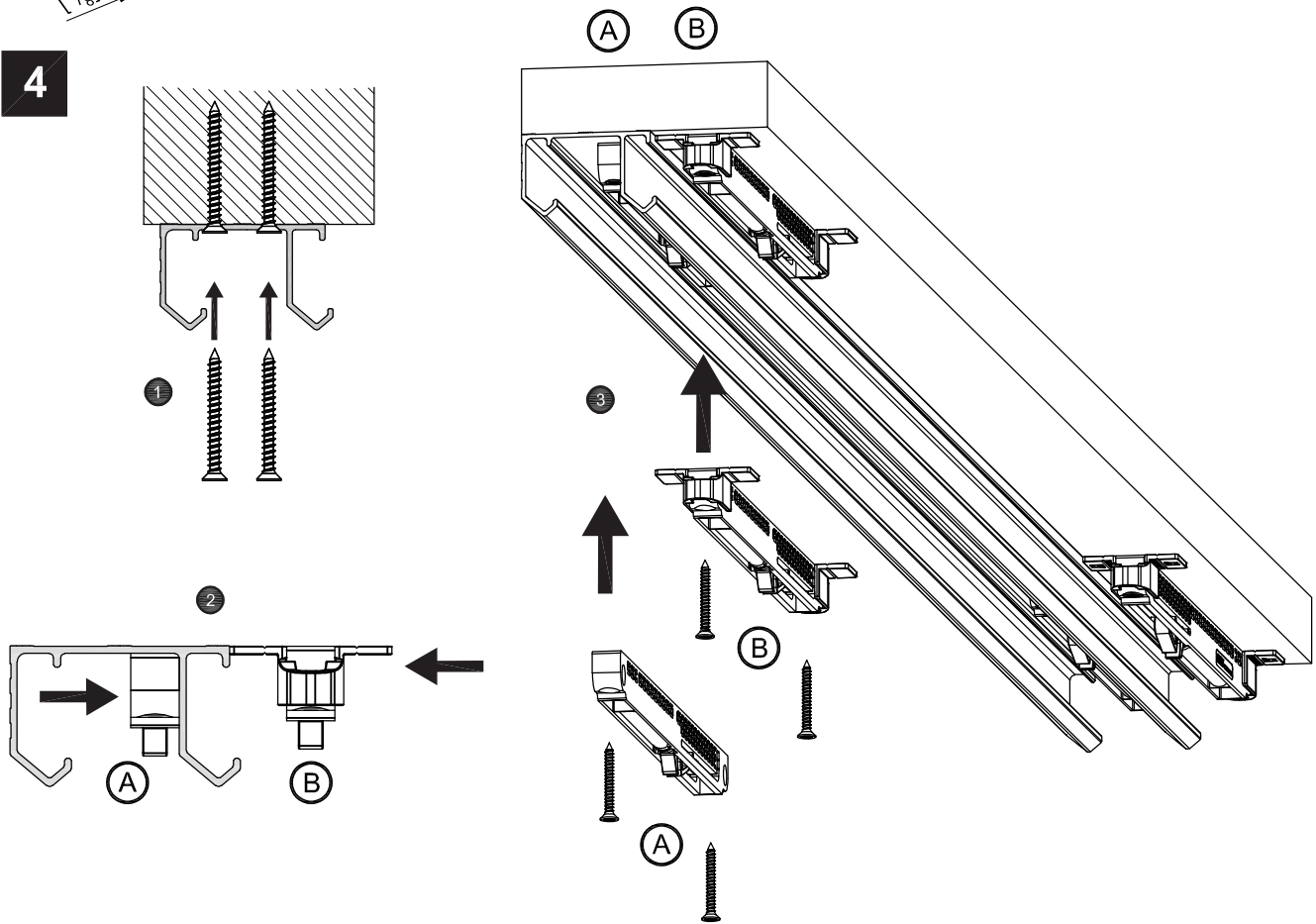




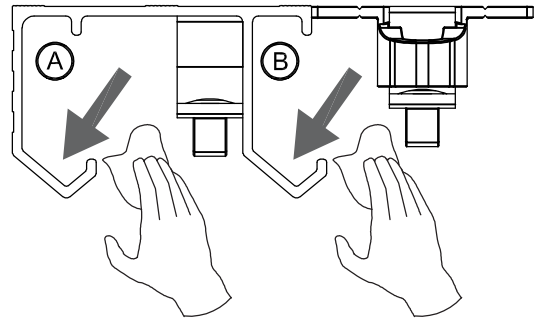
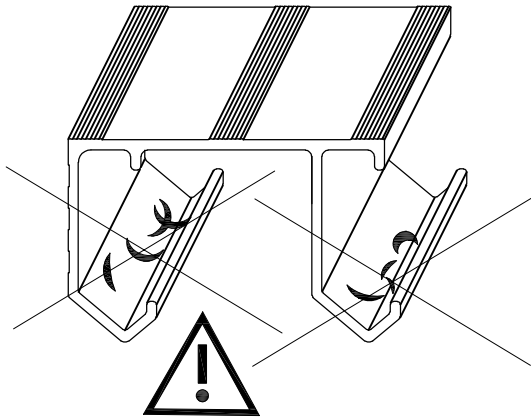
3



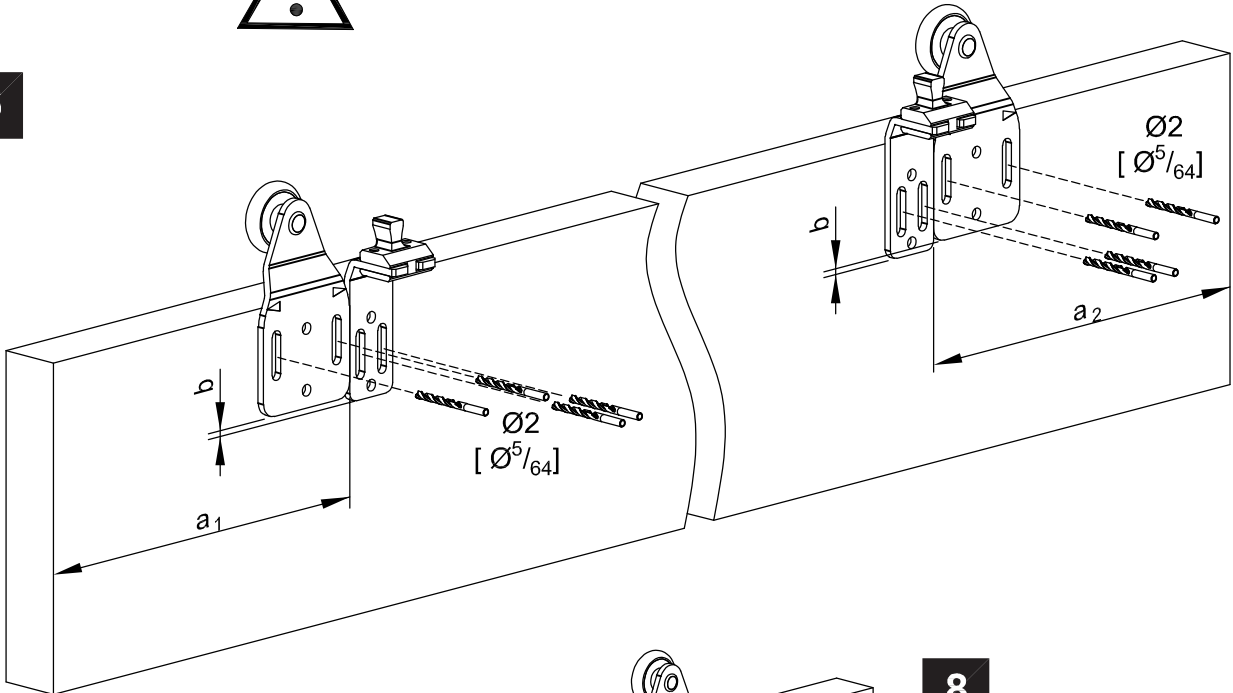
4



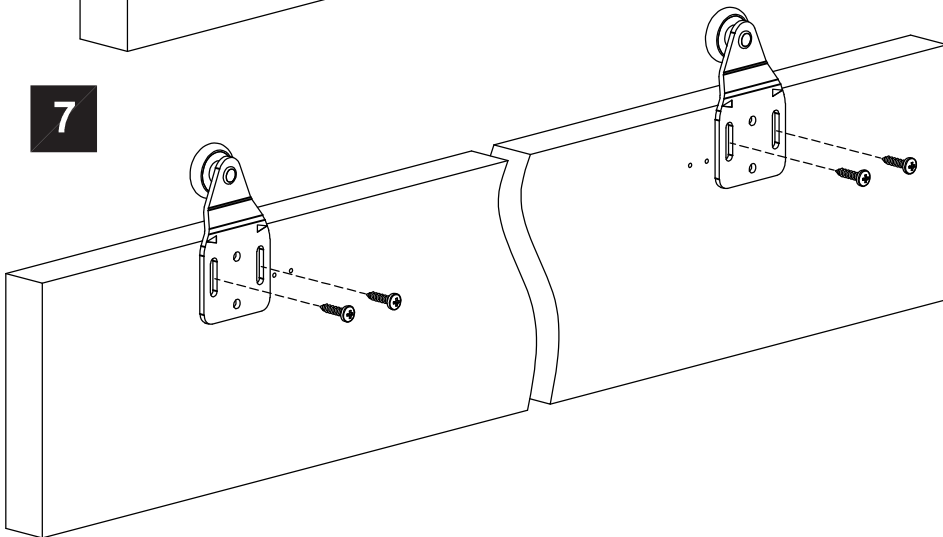
5



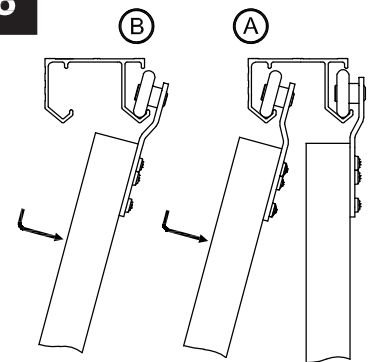
6



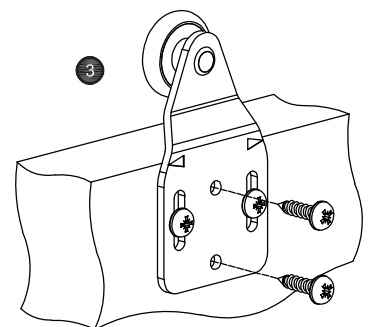
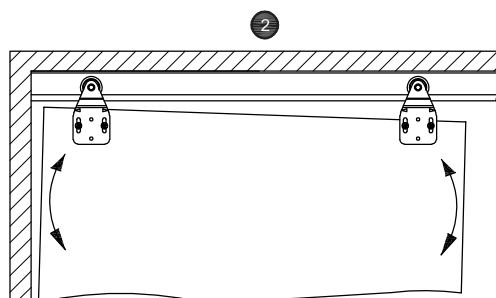
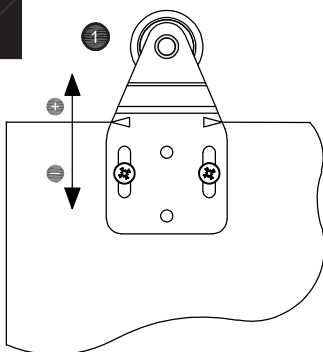
7



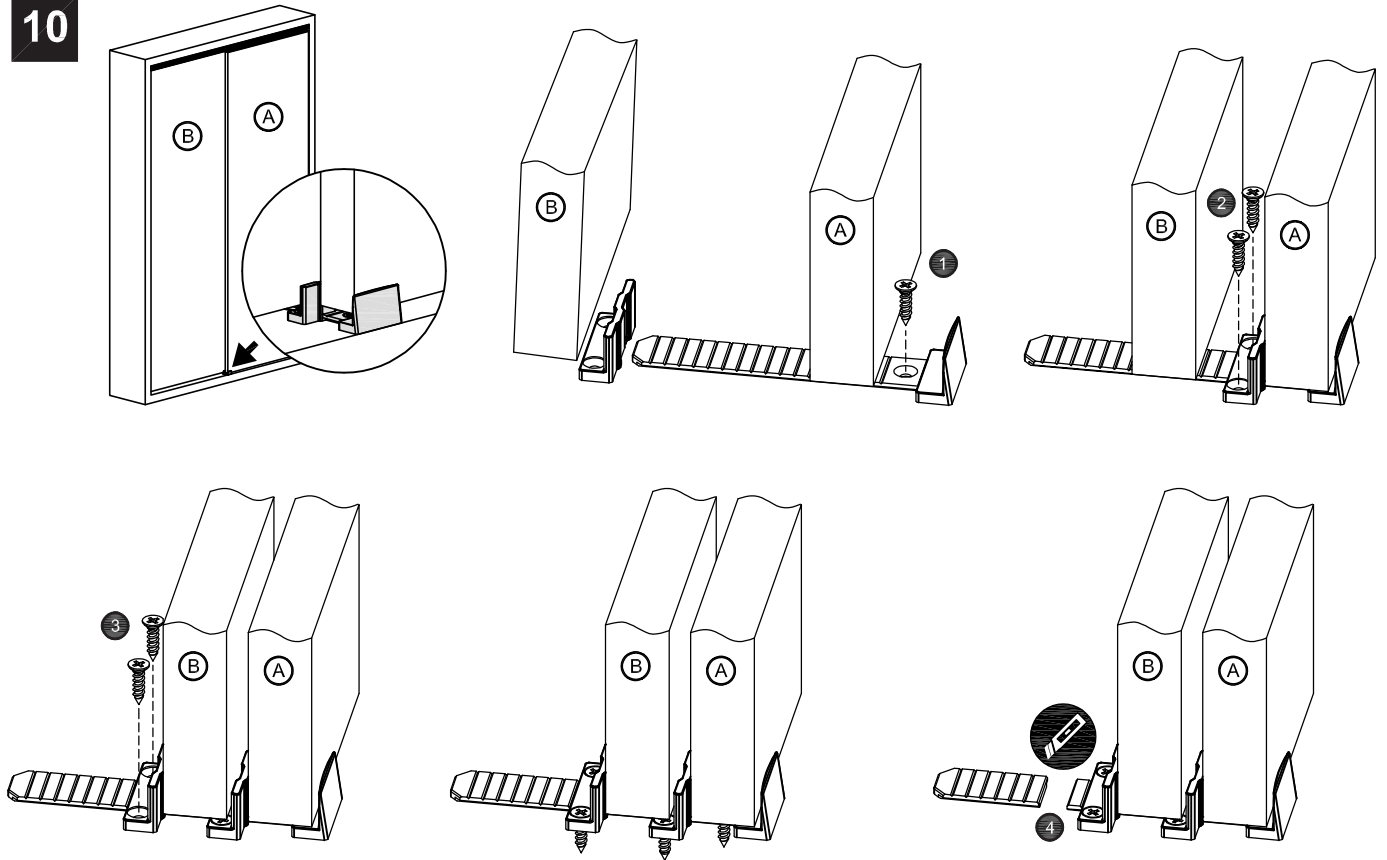
8



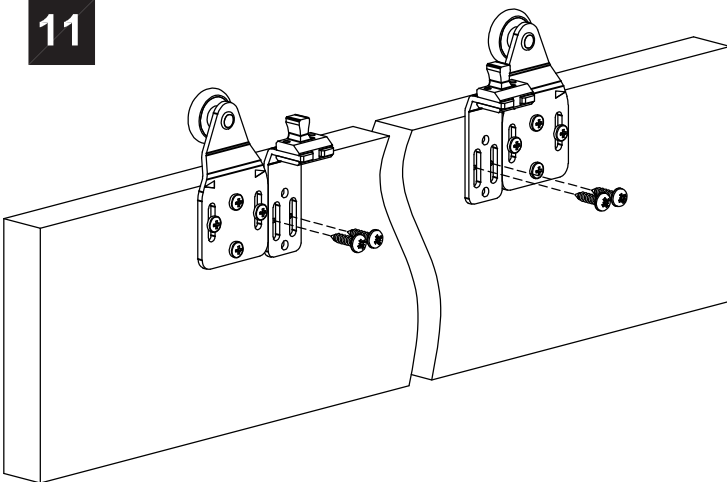
9



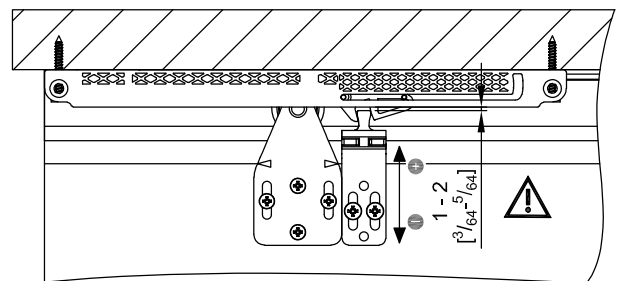
10



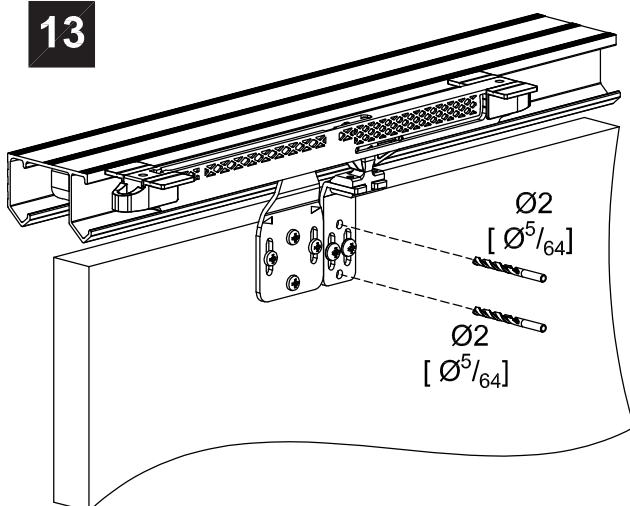
11



12



13



14

