



x2



x2



x1



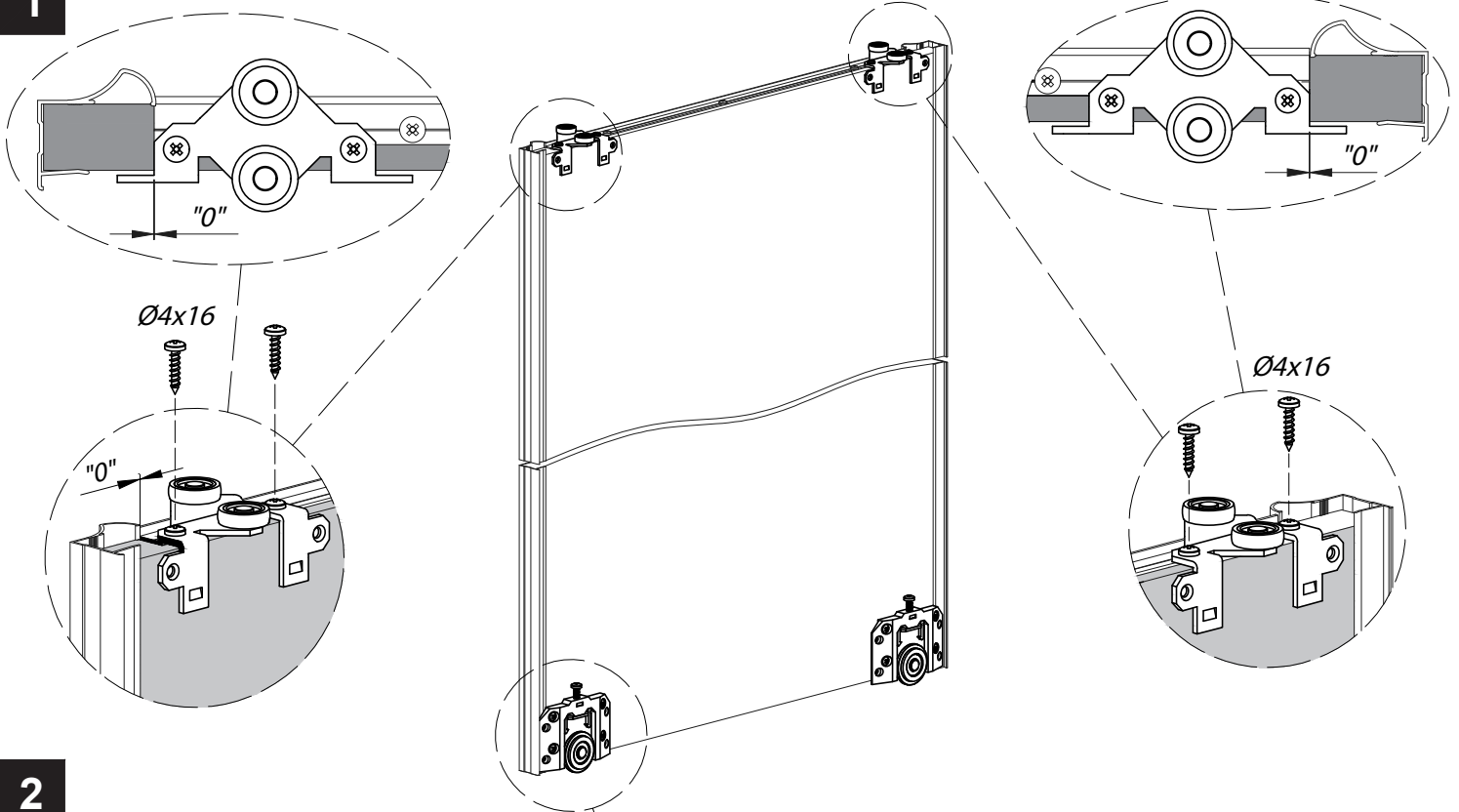
Ø4x16

x12



50KG

1



2

