

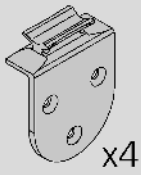


**SLID'UP**  
by MANTION

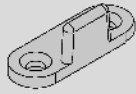
INSTRUCTION DE MONTAGE  
MONTAGEANLEITUNG  
INSTRUCTIONS FOR ASSEMBLY  
INSTRUCCIONES DE MONTAJE  
INSTRUKCJA MONTA U

**SLID'UP 1900**

**SU 1901**  
**SU 1902**



x4



x3



x2



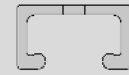
x6



x14



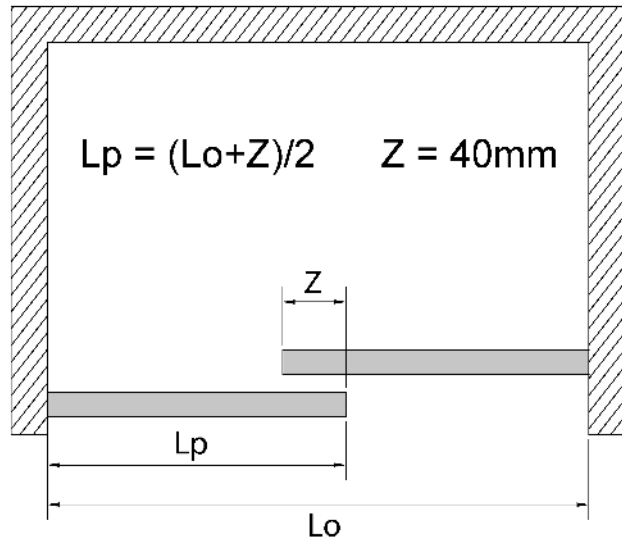
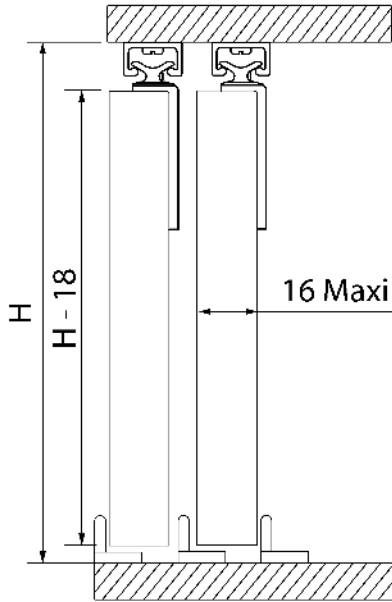
x12



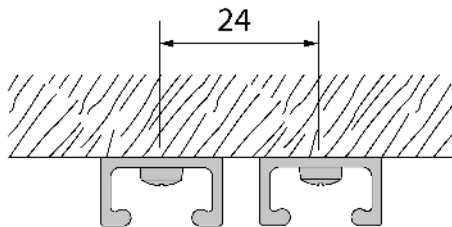
x2



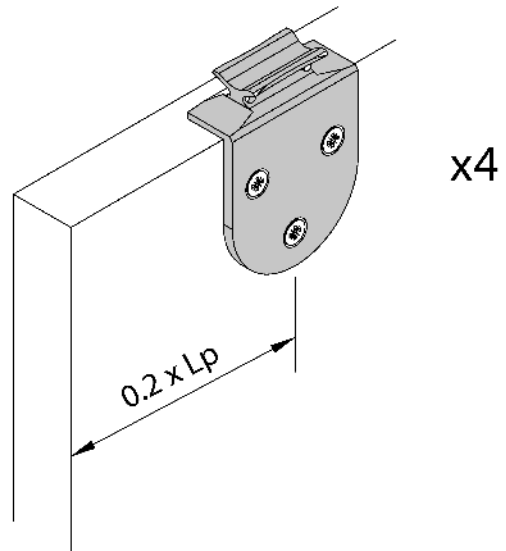
**6**  
**KG**



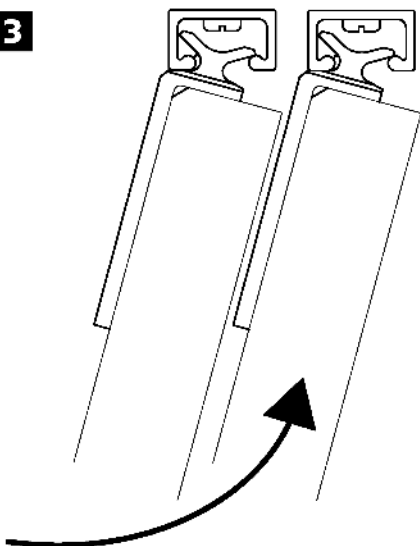
**1**



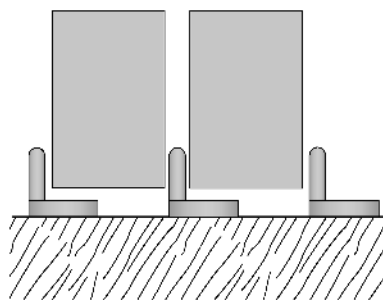
**2**



**3**



**4**



**OPTION: SU5199**

